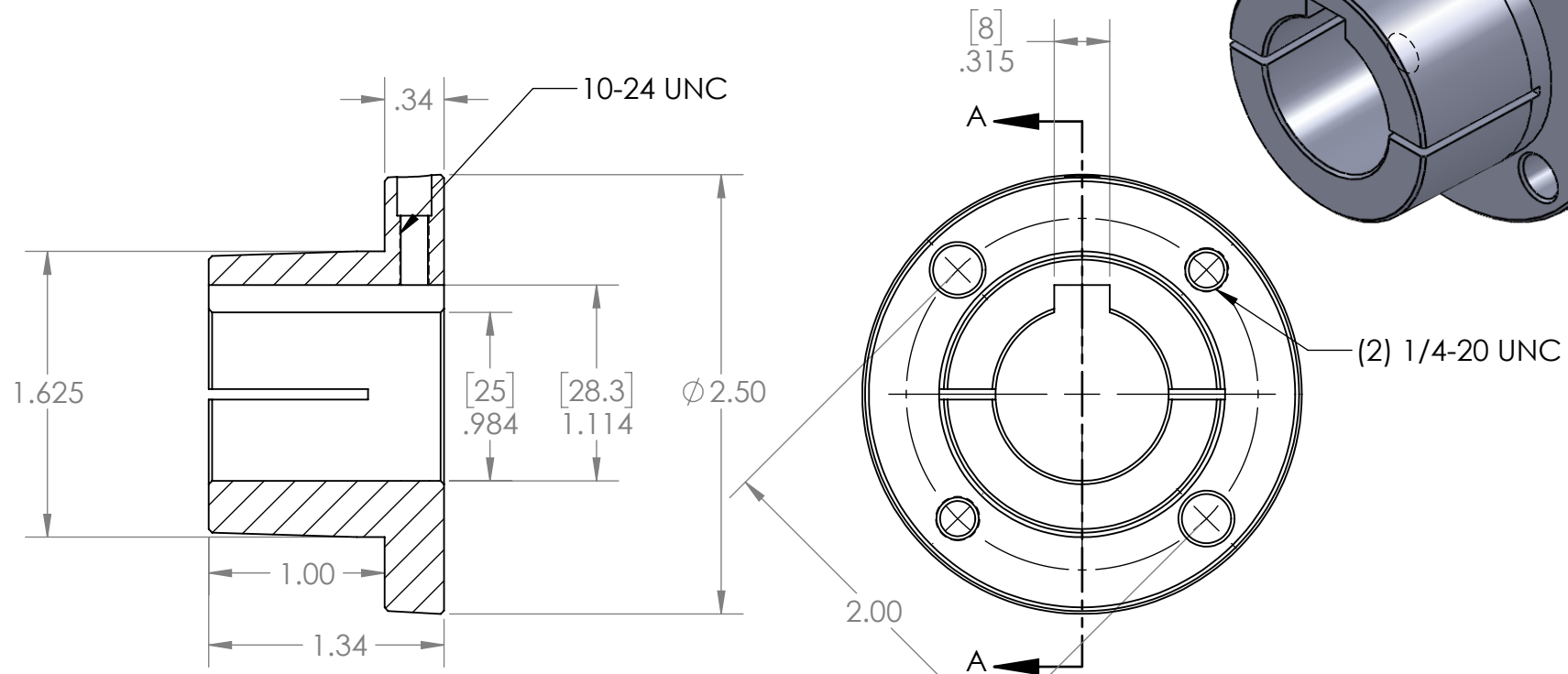
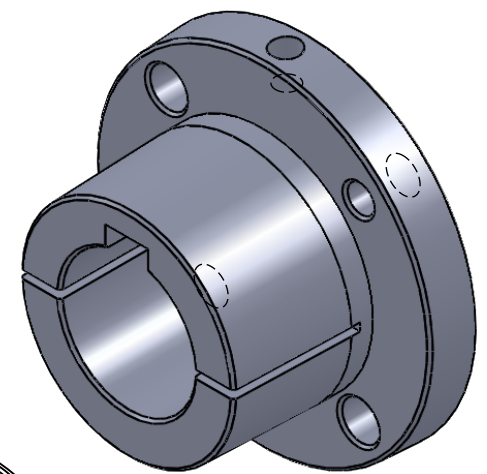


2

1

B

B



SECTION A-A

A

A

<p>PROPRIETARY AND CONFIDENTIAL THE INFORMATION CONTAINED IN THIS DRAWING IS THE SOLE PROPERTY OF <INSERT COMPANY NAME HERE>. ANY REPRODUCTION IN PART OR AS A WHOLE WITHOUT THE WRITTEN PERMISSION OF <INSERT COMPANY NAME HERE> IS PROHIBITED.</p>			INTERPRET GEOMETRIC TOLERANCING PER:	DRAWN	NAME	DATE	<p>MASTERDRIVE[®] POWER TRANSMISSION PRODUCTS</p> <p>TITLE: H25MM</p>	
			MATERIAL Powdered Metal	CHECKED	EDG	06/17/19		<p>SIZE A DWG. NO. H25MM REV</p>
	NEXT ASSY	USED ON	FINISH None	ENG APPR.				
				MFG APPR.				<p>SCALE: 1:1 WEIGHT: SHEET 1 OF 1</p>
	APPLICATION		DO NOT SCALE DRAWING	Q.A.				
			COMMENTS:					

2

1