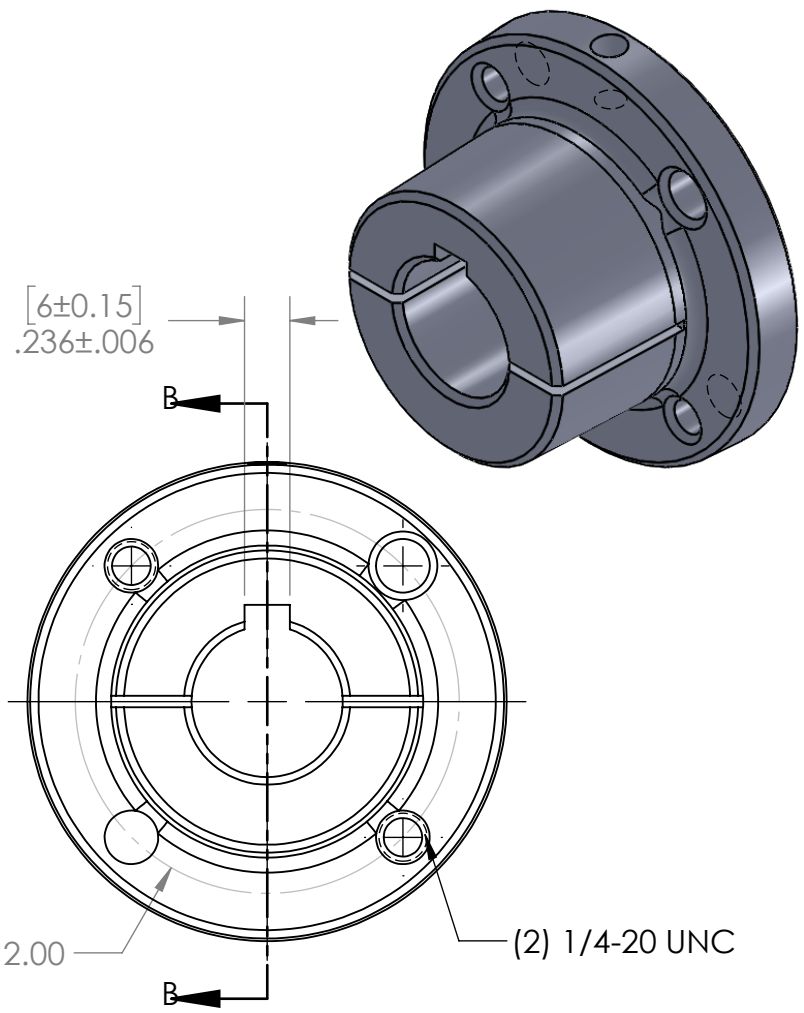
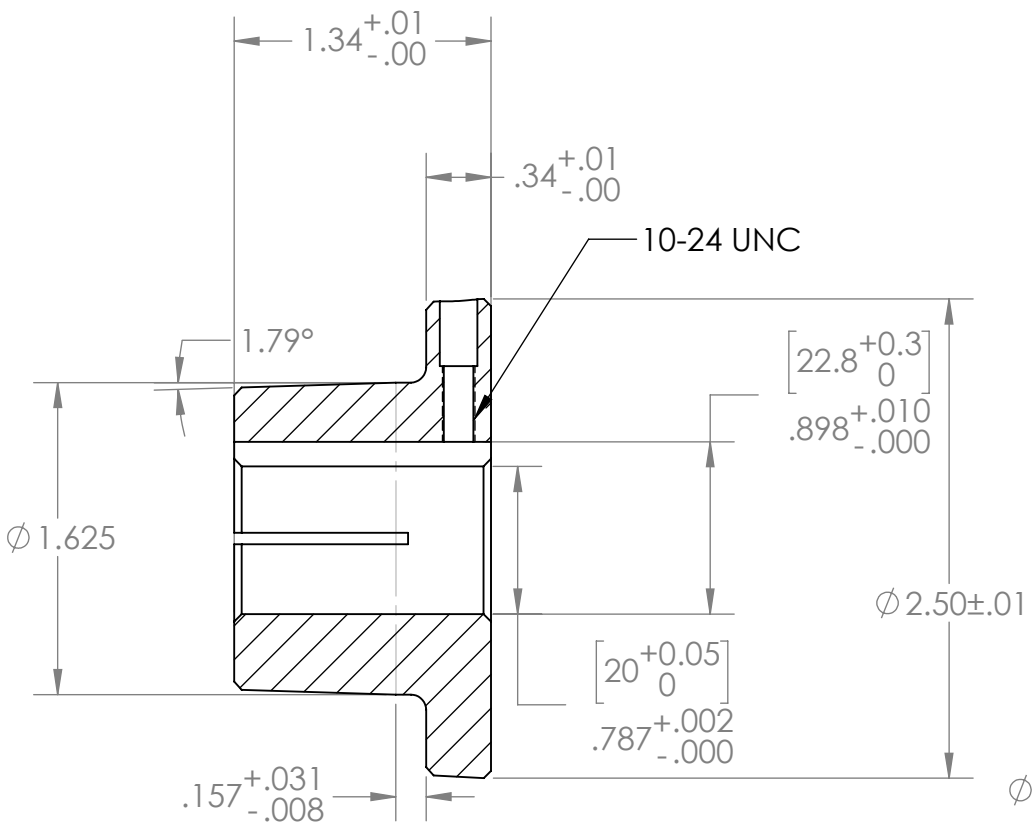


2

1

B

B



A

A

PROPRIETARY AND CONFIDENTIAL
 THE INFORMATION CONTAINED IN THIS DRAWING IS THE SOLE PROPERTY OF MASTERDRIVE, INC. ANY REPRODUCTION IN PART OR AS A WHOLE WITHOUT THE WRITTEN PERMISSION OF MASTERDRIVE, INC. IS PROHIBITED.

			INTERPRET GEOMETRIC TOLERANCING PER:
			MATERIAL Powdered Metal
			FINISH None
NEXT ASSY	USED ON		
APPLICATION			DO NOT SCALE DRAWING

	NAME	DATE
DRAWN	EDG	10/09/20
CHECKED		
ENG APPR.		
MFG APPR.		
Q.A.		
COMMENTS:		

MASTERDRIVE
 POWER TRANSMISSION PRODUCTS

TITLE:
H20MM

SIZE A	DWG. NO. H20MM with tolerances	REV
SCALE: 1:1	WEIGHT:	SHEET 1 OF 1

2

1