

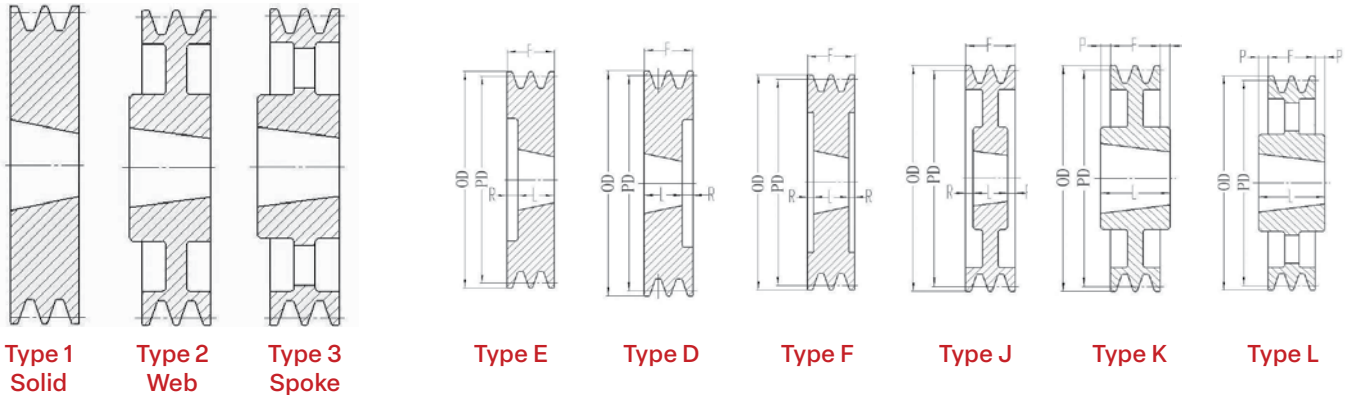
SPA TB Sheaves

Cast Iron Sheaves - Heavy Duty
Bushed, **One and Two Groove**
For SPA V-Belts.

Order part number size

Example: 5/SPA100-1615

Order TB bushings separately (see Pages 87-88)



O.D. (mm)	P.D. (mm)	Part No.	Bush	Type	Dimensions (mm)				Wt.
					F	L	R	P	
105.6	100	5/SPA100-1615	1615	E-1	80	38	42	-	4.41
111.6	106	5/SPA106-2012	2012	D-1	80	32	48	-	4.63
117.6	112	5/SPA112-2012	2012	D-1	80	32	48	-	5.18
123.6	118	5/SPA118-2012	2012	E-1	80	32	48	-	5.89
130.6	125	5/SPA125-2012	2012	F-1	80	32	24	-	6.68
137.6	132	5/SPA132-2517	*2517	F-1	80	45	17.5	-	7.05
145.6	140	5/SPA140-2517	*2517	F-1	80	45	17.5	-	8.40
155.6	150	5/SPA150-2517	*2517	F-1	80	45	17.5	-	10.32
165.6	160	5/SPA160-2517	*2517	F-1	80	45	17.5	-	12.04
180.6	180	5/SPA180-3020	3020	F-1	80	51	14.5	-	14.82
205.6	200	5/SPA200-3020	3020	F-1	80	51	14.5	-	19.78
229.6	224	5/SPA224-3020	3020	E-1	80	51	29	-	26.01
255.6	250	5/SPA250-3020	3020	J-2	80	51	14.5	-	23.70
285.6	280	5/SPA280-3535	*3535	K-2	80	89	-	4.5	40.45
320.6	315	5/SPA315-3535	*3535	K-2	80	89	-	4.5	44.31
360.6	355	5/SPA355-3535	*3535	L-3	80	89	-	4.5	44.20
405.6	400	5/SPA400-3535	*3535	L-3	80	89	-	4.5	54.01
455.6	450	5/SPA450-3535	*3535	L-3	80	89	-	4.5	58.42
505.6	500	5/SPA500-3535	*3535	L-3	80	89	-	4.5	68.78
565.6	560	5/SPA560-3535	*3535	L-3	80	89	-	4.5	81.57
635.6	630	5/SPA630-3535	*3535	L-3	80	89	-	4.5	78.48

* Caution: Metric sheaves requiring TB bushing 2517 or 3535 MUST use bushings with BSW threads (2517-BSW or 3535-BSW)