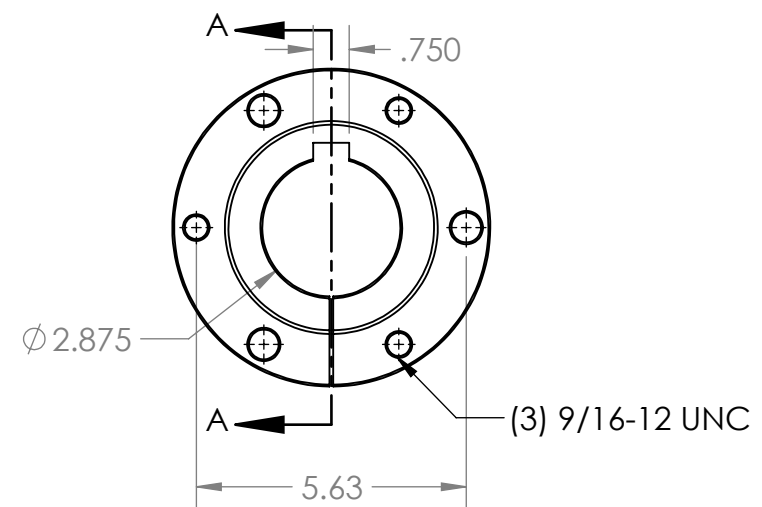
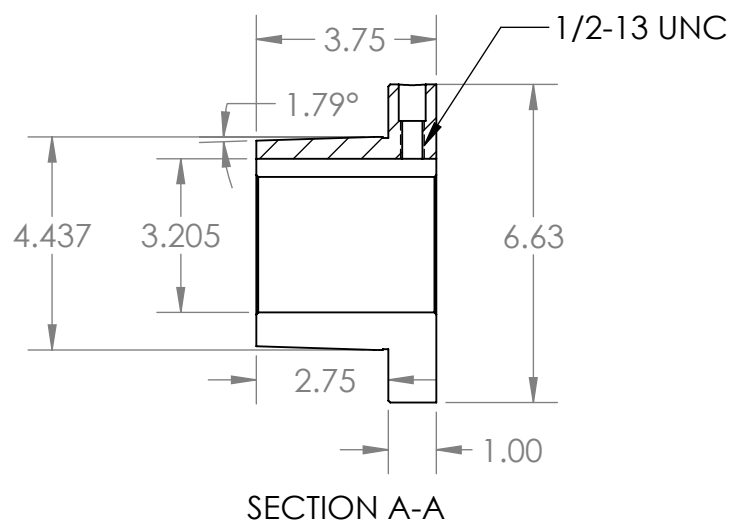
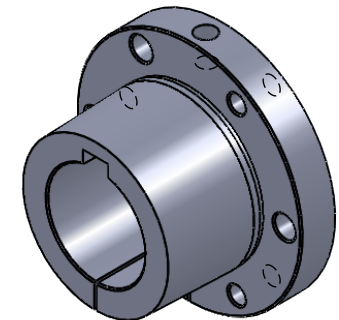


2

1

B

B



A

A

<p>PROPRIETARY AND CONFIDENTIAL THE INFORMATION CONTAINED IN THIS DRAWING IS THE SOLE PROPERTY OF MASTERDRIVE, INC. ANY REPRODUCTION IN PART OR AS A WHOLE WITHOUT THE WRITTEN PERMISSION OF MASTERDRIVE, INC. IS PROHIBITED.</p>					NAME	DATE			
					DRAWN	EDG 07/28/20			
					CHECKED			TITLE:	
					ENG APPR.			F2.7/8	
					MFG APPR.				
					Q.A.		SIZE	DWG. NO.	REV
	NEXT ASSY	USED ON			COMMENTS:		A	F2.875	
	APPLICATION				DO NOT SCALE DRAWING		SCALE: 1:4	WEIGHT:	SHEET 1 OF 1

2

1