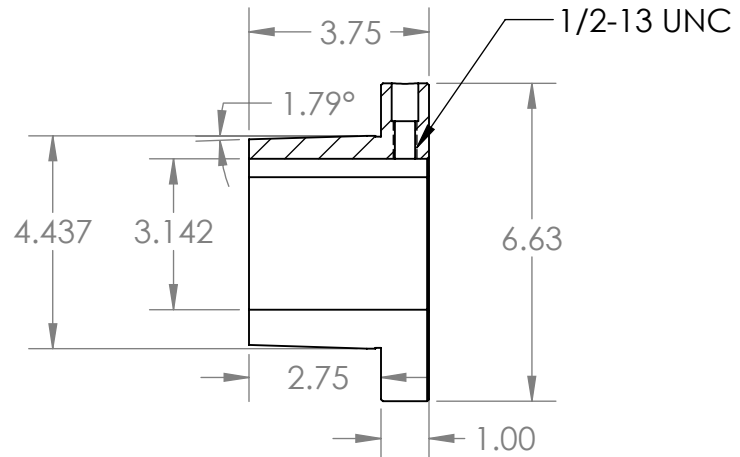
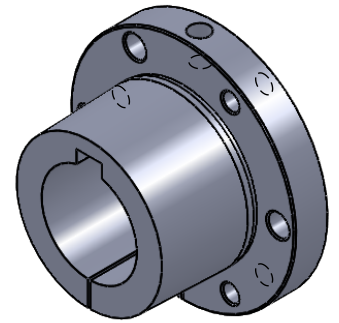


2

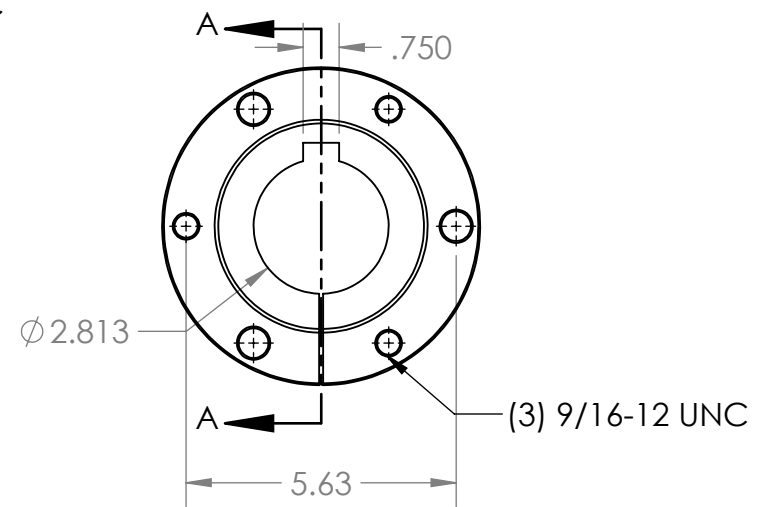
1

B

B




SECTION A-A



A

A

<p><b>PROPRIETARY AND CONFIDENTIAL</b></p> <p>THE INFORMATION CONTAINED IN THIS DRAWING IS THE SOLE PROPERTY OF MASTERDRIVE, INC. ANY REPRODUCTION IN PART OR AS A WHOLE WITHOUT THE WRITTEN PERMISSION OF MASTERDRIVE, INC. IS PROHIBITED.</p>			INTERPRET GEOMETRIC TOLERANCING PER:	DRAWN	NAME	DATE	<p><b>MASTERDRIVE</b> </p> <p><b>POWER TRANSMISSION PRODUCTS</b></p> <p>TITLE:</p> <p><b>F2.13/16</b></p>	
			MATERIAL	CHECKED	EDG	07/28/20		
			FINISH	ENG APPR.				
	NEXT ASSY	USED ON	Black Phosphate	MFG APPR.				
	APPLICATION		DO NOT SCALE DRAWING	Q.A.				
			COMMENTS:				<p>SIZE <b>A</b> DWG. NO. <b>F2.813</b> REV</p> <p>SCALE: 1:4 WEIGHT: SHEET 1 OF 1</p>	

2

1