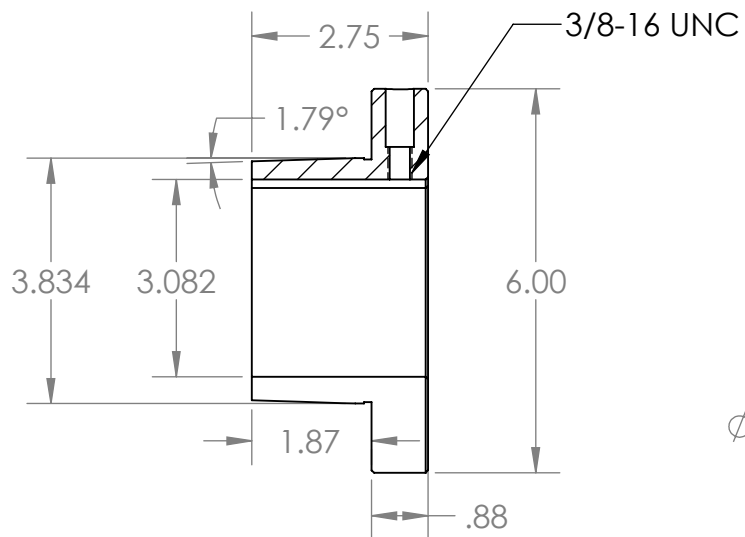
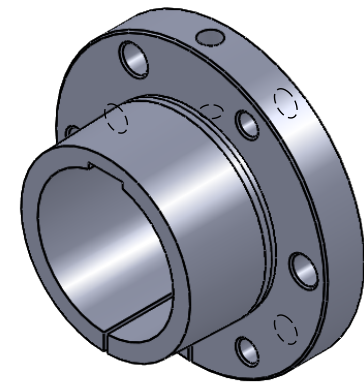


2

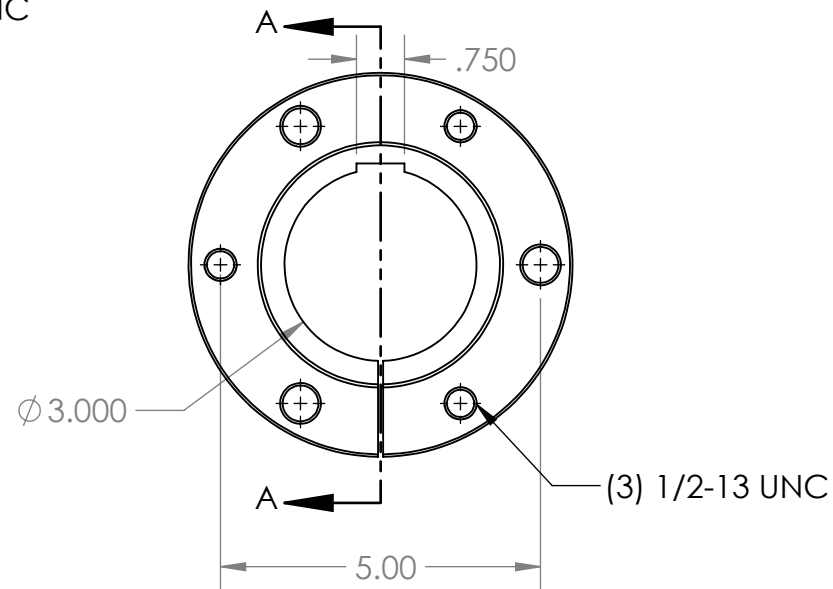
1

B

B



SECTION A-A



A

A

<p><b>PROPRIETARY AND CONFIDENTIAL</b> THE INFORMATION CONTAINED IN THIS DRAWING IS THE SOLE PROPERTY OF MASTERDRIVE, INC. ANY REPRODUCTION IN PART OR AS A WHOLE WITHOUT THE WRITTEN PERMISSION OF MASTERDRIVE, INC. IS PROHIBITED.</p>					NAME	DATE			
					DRAWN	EDG 07/27/20			
					CHECKED			TITLE:	
					ENG APPR.			<b>E3</b>	
					MFG APPR.			SIZE	DWG. NO.
					Q.A.		<b>A</b>	<b>E3.000</b>	
					COMMENTS:		SCALE: 1:3	WEIGHT:	SHEET 1 OF 1
	NEXT ASSY	USED ON	INTERPRET GEOMETRIC TOLERANCING PER:						
			MATERIAL						
			QT450-10 (Ductile Iron)						
			FINISH						
			Black Phosphate						
	APPLICATION		DO NOT SCALE DRAWING						

2

1