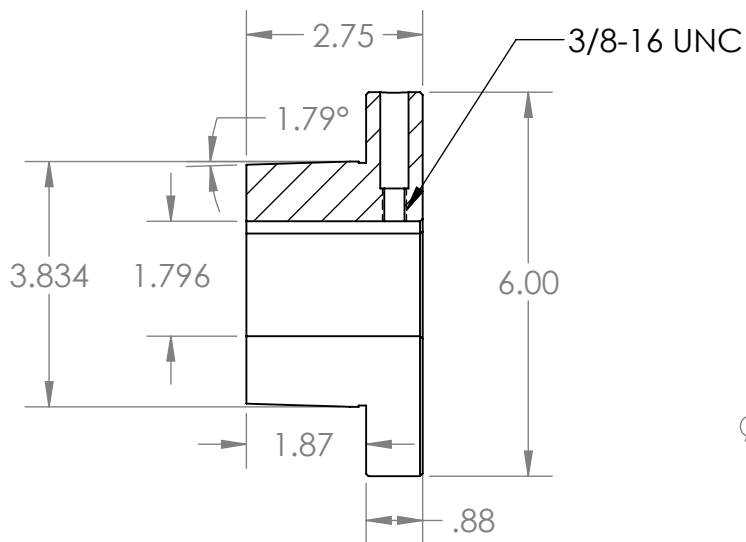
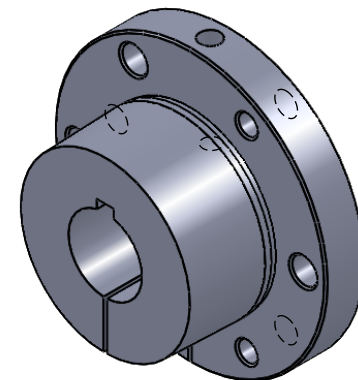


2

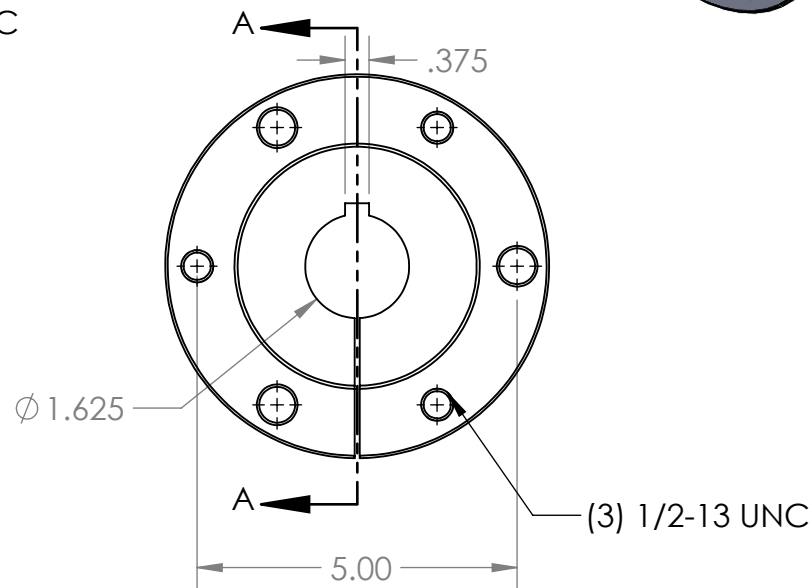
1

B

B



SECTION A-A



A

A

<p><b>PROPRIETARY AND CONFIDENTIAL</b> THE INFORMATION CONTAINED IN THIS DRAWING IS THE SOLE PROPERTY OF MASTERDRIVE, INC. ANY REPRODUCTION IN PART OR AS A WHOLE WITHOUT THE WRITTEN PERMISSION OF MASTERDRIVE, INC. IS PROHIBITED.</p>					NAME	DATE			
					DRAWN	EDG 07/24/20			
					CHECKED				
					ENG APPR.				
					MFG APPR.				
							TITLE:		
							E1.5/8		
							SIZE	DWG. NO.	REV
							<b>A</b>	E1.625	
							SCALE: 1:3	WEIGHT:	SHEET 1 OF 1

INTERPRET GEOMETRIC TOLERANCING PER:  
MATERIAL  
QT450-10 (Ductile Iron)  
FINISH  
Black Phosphate

NEXT ASSY USED ON

APPLICATION

DO NOT SCALE DRAWING

2

1