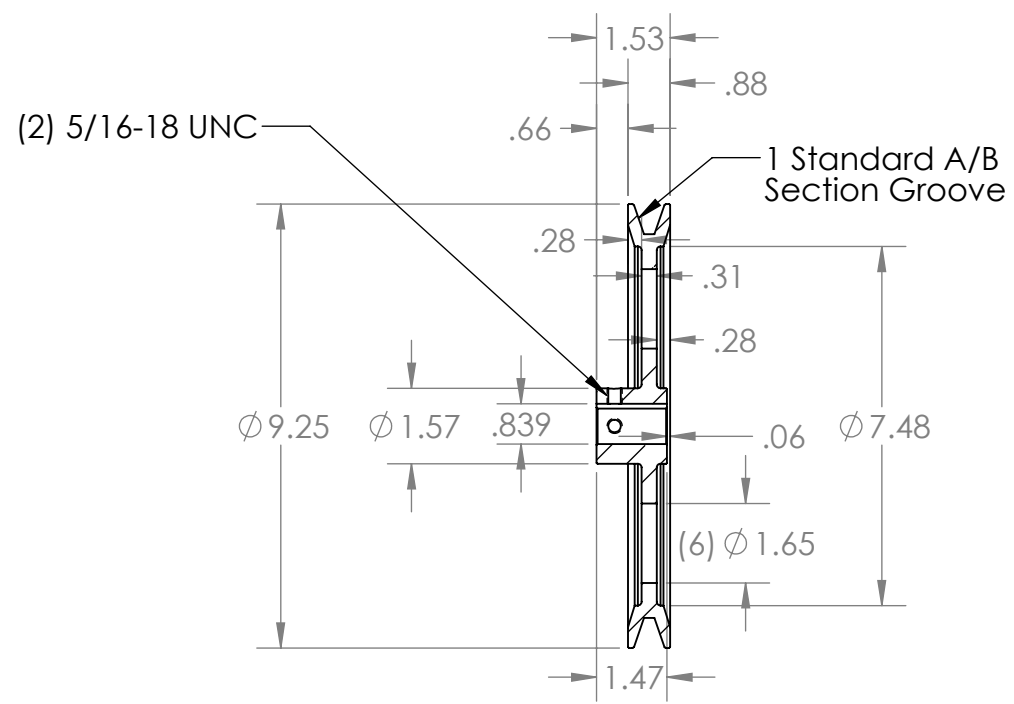


2

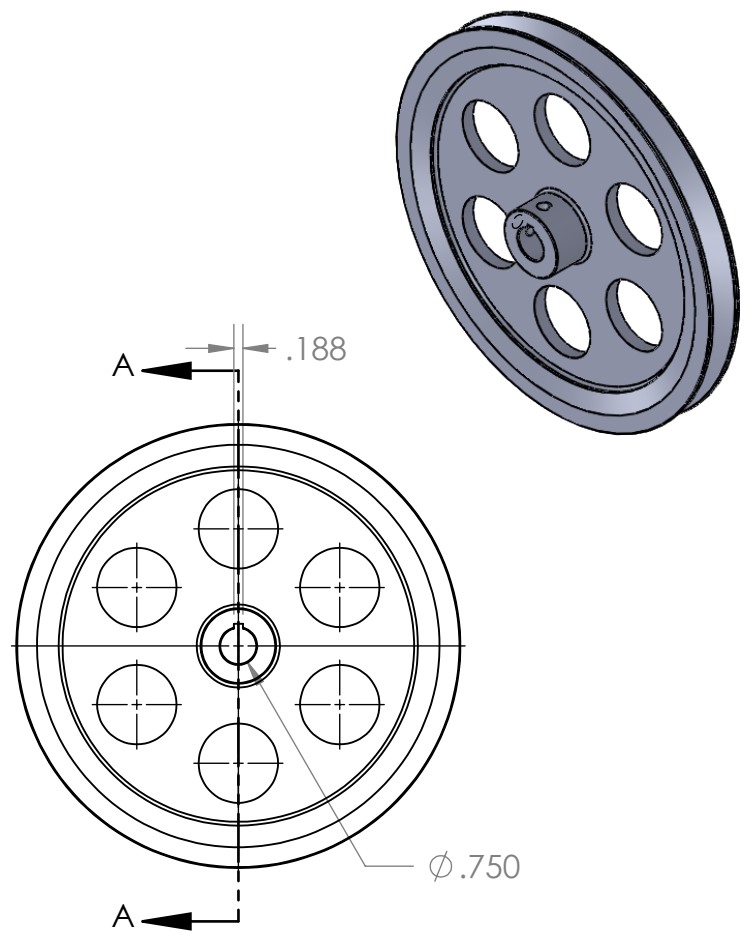
1

B

B



SECTION A-A



A

A

<p><b>PROPRIETARY AND CONFIDENTIAL</b> THE INFORMATION CONTAINED IN THIS DRAWING IS THE SOLE PROPERTY OF MASTERDRIVE, INC. ANY REPRODUCTION IN PART OR AS A WHOLE WITHOUT THE WRITTEN PERMISSION OF MASTERDRIVE, INC. IS PROHIBITED.</p>			INTERPRET GEOMETRIC TOLERANCING PER:	DRAWN	NAME	DATE	<p><b>MASTERDRIVE</b> POWER TRANSMISSION PRODUCTS</p> <p>TITLE: <b>BK95-3/4</b></p> <p>SIZE <b>A</b> DWG. NO. <b>BK95-0.750</b> REV</p> <p>SCALE: 1:4 WEIGHT: SHEET 1 OF 1</p>	
			MATERIAL	CHECKED	EDG	05/25/21		
			FINISH	ENG APPR.				
	NEXT ASSY	USED ON	Grey Paint	MFG APPR.				
	APPLICATION		DO NOT SCALE DRAWING	Q.A.				
			COMMENTS:					

2

1