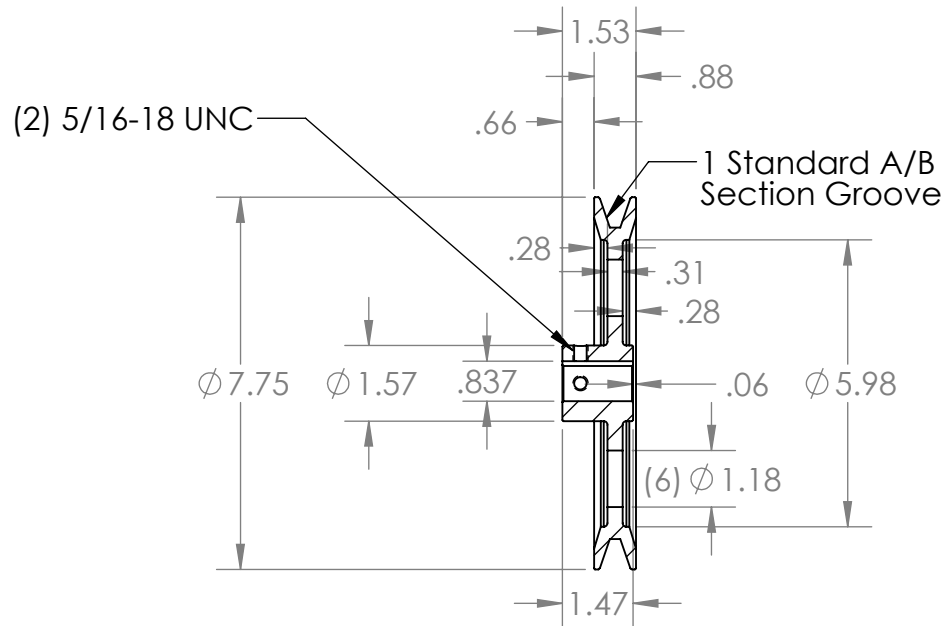


2

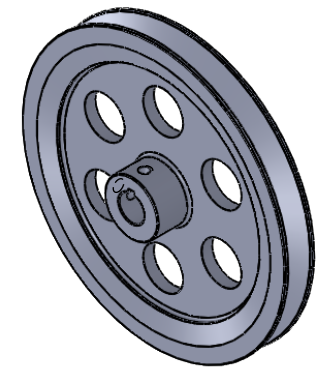
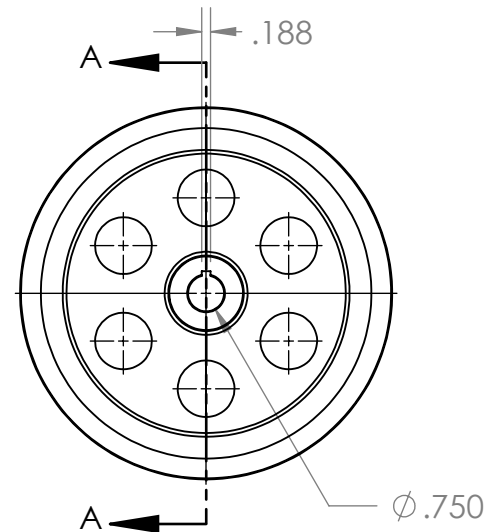
1

B

B



SECTION A-A



A

A

PROPRIETARY AND CONFIDENTIAL
 THE INFORMATION CONTAINED IN THIS DRAWING IS THE SOLE PROPERTY OF MASTERDRIVE, INC. ANY REPRODUCTION IN PART OR AS A WHOLE WITHOUT THE WRITTEN PERMISSION OF MASTERDRIVE, INC. IS PROHIBITED.

| | | | | | |
|-------------|---------|--------------------------------------|-----------|------|----------|
| | | | | NAME | DATE |
| | | | DRAWN | EDG | 05/20/21 |
| | | | CHECKED | | |
| | | | ENG APPR. | | |
| | | | MFG APPR. | | |
| | | | Q.A. | | |
| | | | COMMENTS: | | |
| | | INTERPRET GEOMETRIC TOLERANCING PER: | | | |
| | | MATERIAL | | | |
| | | HT200 (Cast Iron) | | | |
| | | FINISH | | | |
| | | Grey Paint | | | |
| NEXT ASSY | USED ON | | | | |
| APPLICATION | | DO NOT SCALE DRAWING | | | |



| | | |
|------------|------------|--------------|
| TITLE: | | |
| BK80-3/4 | | |
| SIZE | DWG. NO. | REV |
| A | BK80-0.750 | |
| SCALE: 1:4 | WEIGHT: | SHEET 1 OF 1 |

2

1