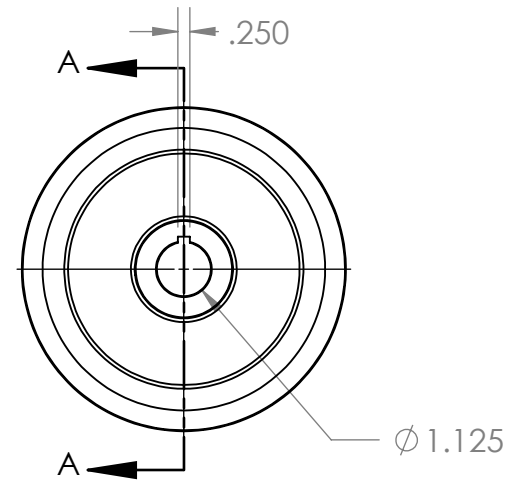
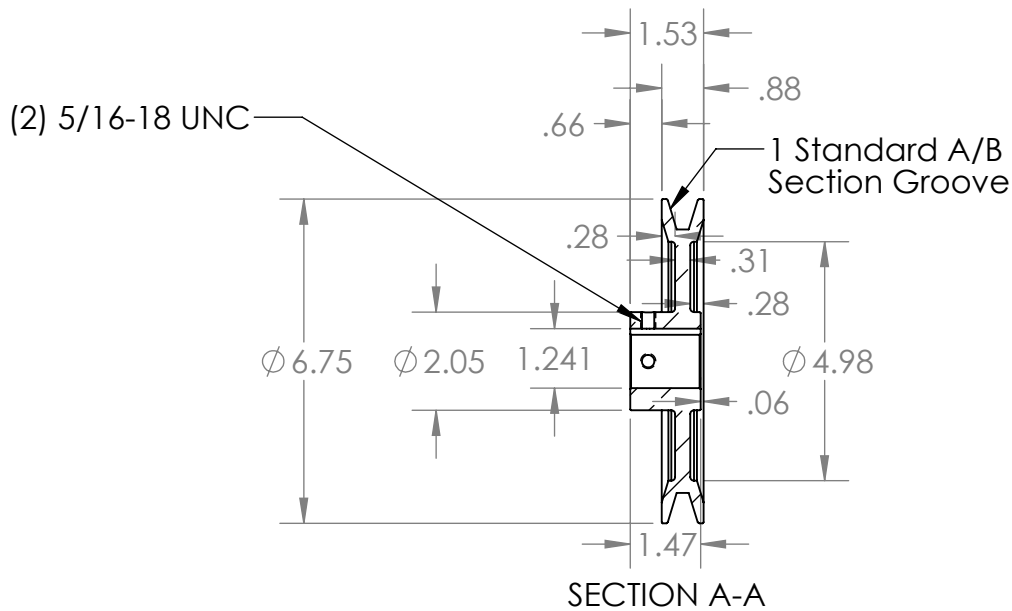
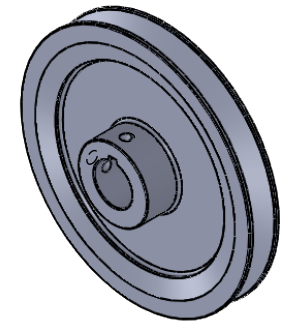


2

1


B

B



A

A

<p>PROPRIETARY AND CONFIDENTIAL</p> <p>THE INFORMATION CONTAINED IN THIS DRAWING IS THE SOLE PROPERTY OF MASTERDRIVE, INC. ANY REPRODUCTION IN PART OR AS A WHOLE WITHOUT THE WRITTEN PERMISSION OF MASTERDRIVE, INC. IS PROHIBITED.</p>					NAME	DATE	<p>MASTERDRIVE </p> <p>POWER TRANSMISSION PRODUCTS</p> <p>TITLE:</p> <p>BK70-1-1/8</p>		
					DRAWN	EDG 05/19/21			
					CHECKED				
					ENG APPR.				
					MFG APPR.				
					Q.A.				
					COMMENTS:				
							SIZE	DWG. NO.	REV
							A	BK70-1.125	
							SCALE: 1:4	WEIGHT:	SHEET 1 OF 1

2

1

PROPRIETARY AND CONFIDENTIAL

THE INFORMATION CONTAINED IN THIS DRAWING IS THE SOLE PROPERTY OF MASTERDRIVE, INC. ANY REPRODUCTION IN PART OR AS A WHOLE WITHOUT THE WRITTEN PERMISSION OF MASTERDRIVE, INC. IS PROHIBITED.

NEXT ASSY

USED ON

INTERPRET GEOMETRIC TOLERANCING PER:

MATERIAL
HT200 (Cast Iron)

FINISH
Grey Paint

APPLICATION

DO NOT SCALE DRAWING

SIZE **A** DWG. NO. **BK70-1.125** REV

SCALE: 1:4 WEIGHT: SHEET 1 OF 1