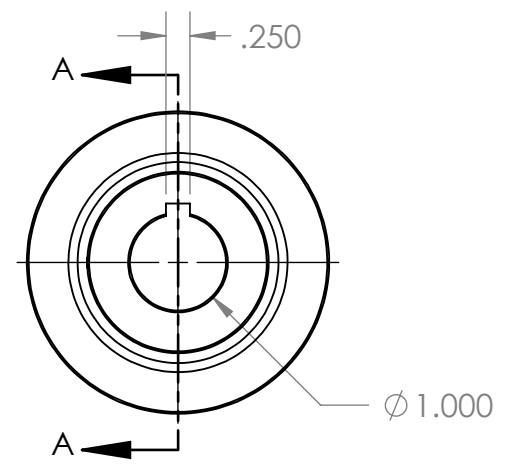
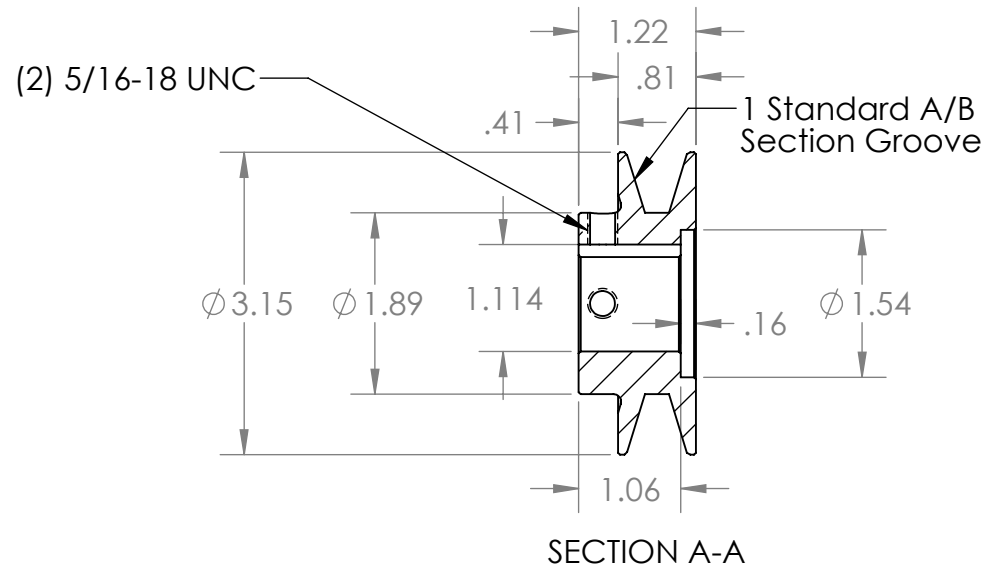
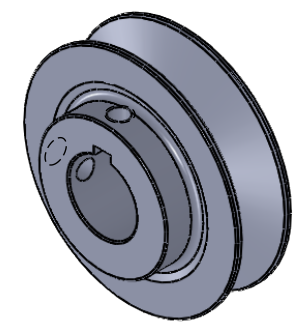


2

1

B

B



A

A

PROPRIETARY AND CONFIDENTIAL
 THE INFORMATION CONTAINED IN THIS DRAWING IS THE SOLE PROPERTY OF MASTERDRIVE, INC. ANY REPRODUCTION IN PART OR AS A WHOLE WITHOUT THE WRITTEN PERMISSION OF MASTERDRIVE, INC. IS PROHIBITED.

| | | | | | | |
|--|-------------|---------|--------------------------------------|-----------|------|----------|
| | | | | | NAME | DATE |
| | | | | DRAWN | EDG | 04/20/21 |
| | | | | CHECKED | | |
| | | | | ENG APPR. | | |
| | | | | MFG APPR. | | |
| | | | | Q.A. | | |
| | | | | COMMENTS: | | |
| | | | INTERPRET GEOMETRIC TOLERANCING PER: | | | |
| | | | MATERIAL | | | |
| | | | HT200 (Cast Iron) | | | |
| | | | FINISH | | | |
| | | | Grey Paint | | | |
| | NEXT ASSY | USED ON | | | | |
| | APPLICATION | | DO NOT SCALE DRAWING | | | |



TITLE: **BK30-1**

SIZE **A** DWG. NO. **BK30-1.000** REV

SCALE: 1:2 WEIGHT: SHEET 1 OF 1

2

1