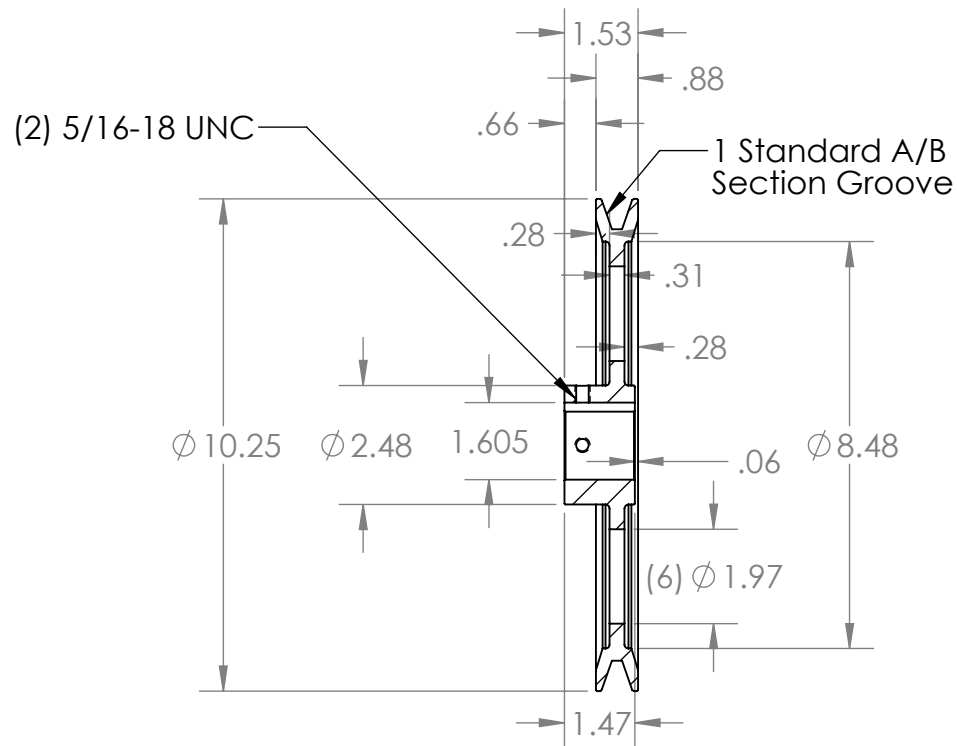
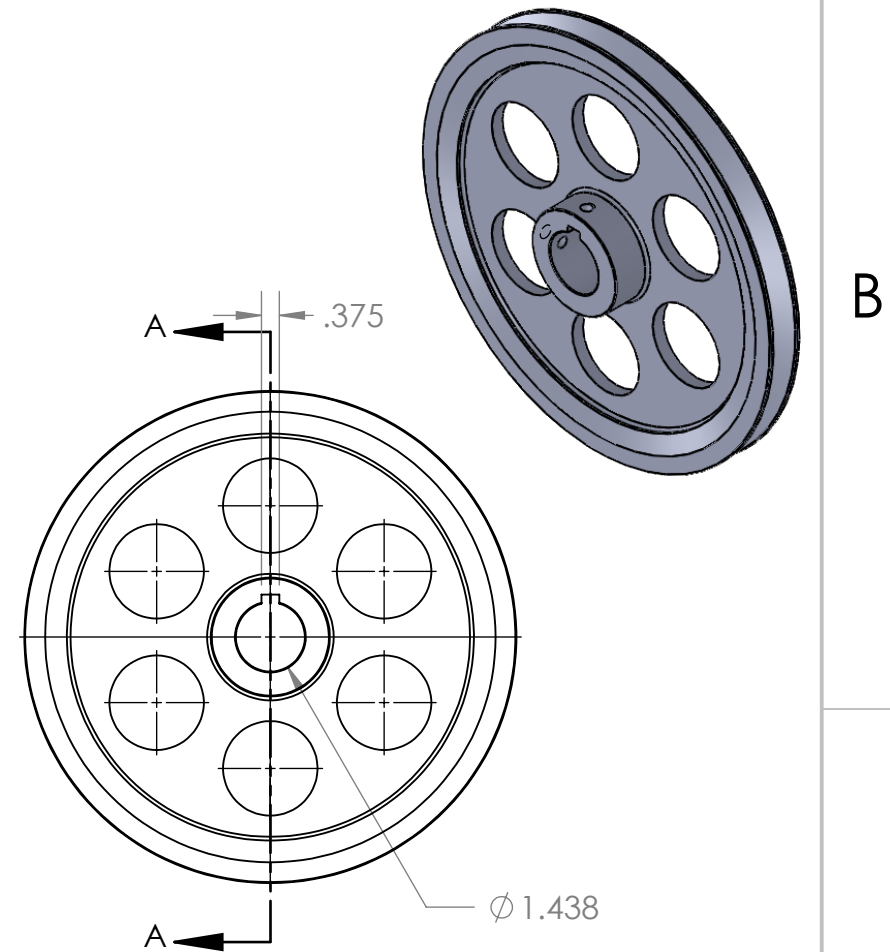


B



SECTION A-A



B

A

A

**PROPRIETARY AND CONFIDENTIAL**  
 THE INFORMATION CONTAINED IN THIS DRAWING IS THE SOLE PROPERTY OF MASTERDRIVE, INC. ANY REPRODUCTION IN PART OR AS A WHOLE WITHOUT THE WRITTEN PERMISSION OF MASTERDRIVE, INC. IS PROHIBITED.

NEXT ASSY

USED ON

APPLICATION

INTERPRET GEOMETRIC TOLERANCING PER:

MATERIAL  
HT200 (Cast Iron)FINISH  
Grey Paint

DO NOT SCALE DRAWING

DRAWN

NAME

DATE

EDG

05/27/21

CHECKED

ENG APPR.

MFG APPR.

Q.A.

COMMENTS:

**MASTERDRIVE**<sup>®</sup>  
 POWER TRANSMISSION PRODUCTS

TITLE:

BK105-1-7/16

SIZE

DWG. NO.

REV

**A**

BK105-1.438

SCALE: 1:4

WEIGHT:

SHEET 1 OF 1

2

1