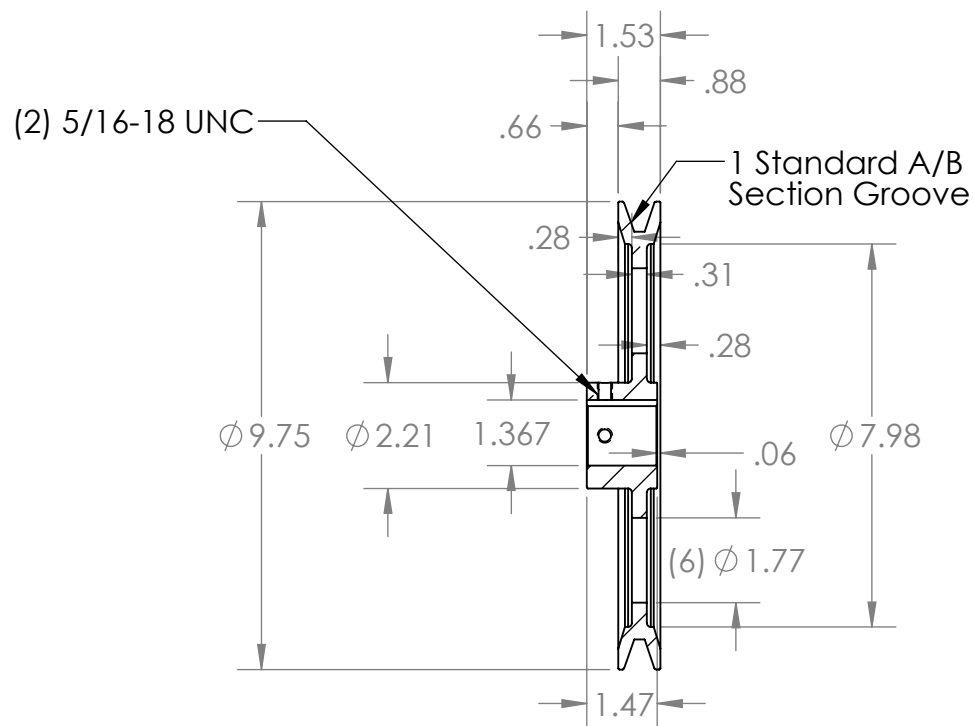
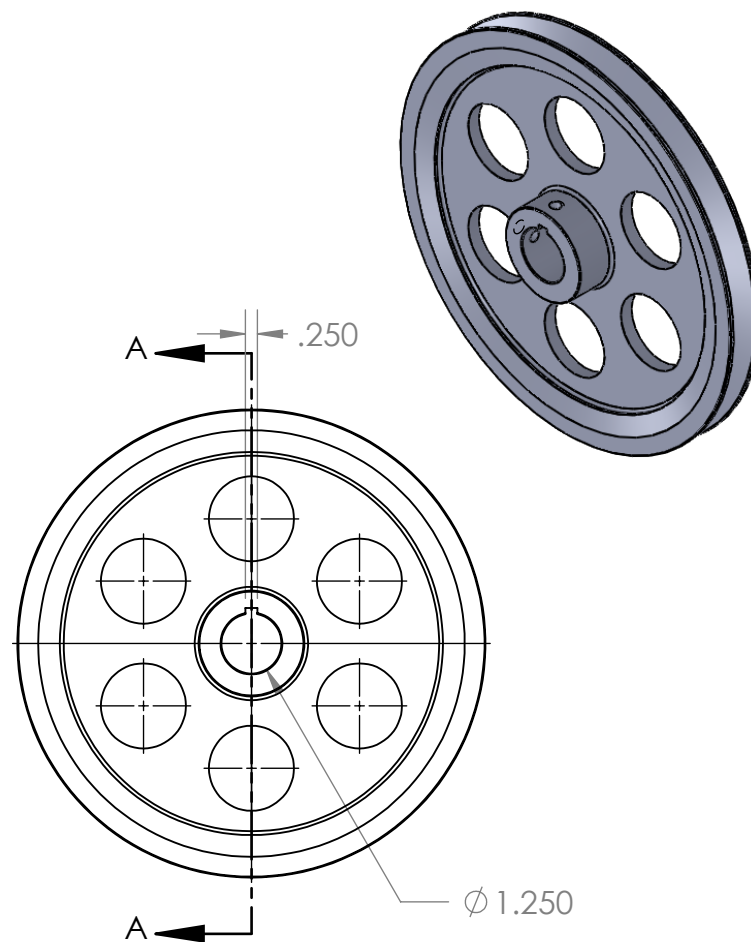


B

B



SECTION A-A



A

A

PROPRIETARY AND CONFIDENTIAL
 THE INFORMATION CONTAINED IN THIS DRAWING IS THE SOLE PROPERTY OF MASTERDRIVE, INC. ANY REPRODUCTION IN PART OR AS A WHOLE WITHOUT THE WRITTEN PERMISSION OF MASTERDRIVE, INC. IS PROHIBITED.

			INTERPRET GEOMETRIC TOLERANCING PER:
			MATERIAL HT200 (Cast Iron)
			FINISH Grey Paint
NEXT ASSY	USED ON		
APPLICATION			DO NOT SCALE DRAWING

	NAME	DATE
DRAWN	EDG	05/27/21
CHECKED		
ENG APPR.		
MFG APPR.		
Q.A.		
COMMENTS:		

MASTERDRIVE[®]
 POWER TRANSMISSION PRODUCTS

TITLE:

BK100-1-1/4

SIZE	DWG. NO.	REV
A	BK100-1.250	

SCALE: 1:4	WEIGHT:	SHEET 1 OF 1
------------	---------	--------------

2

1