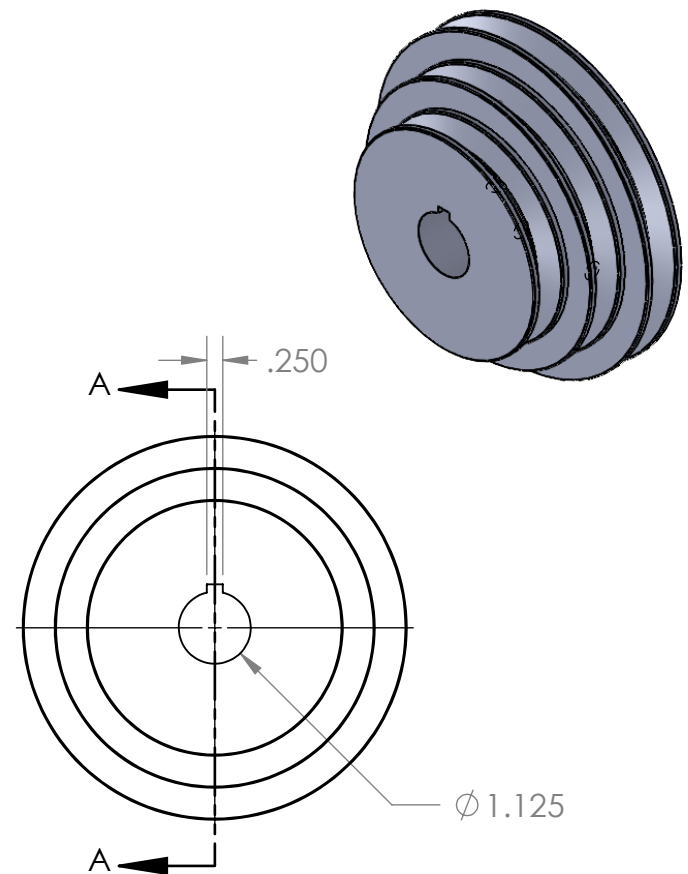
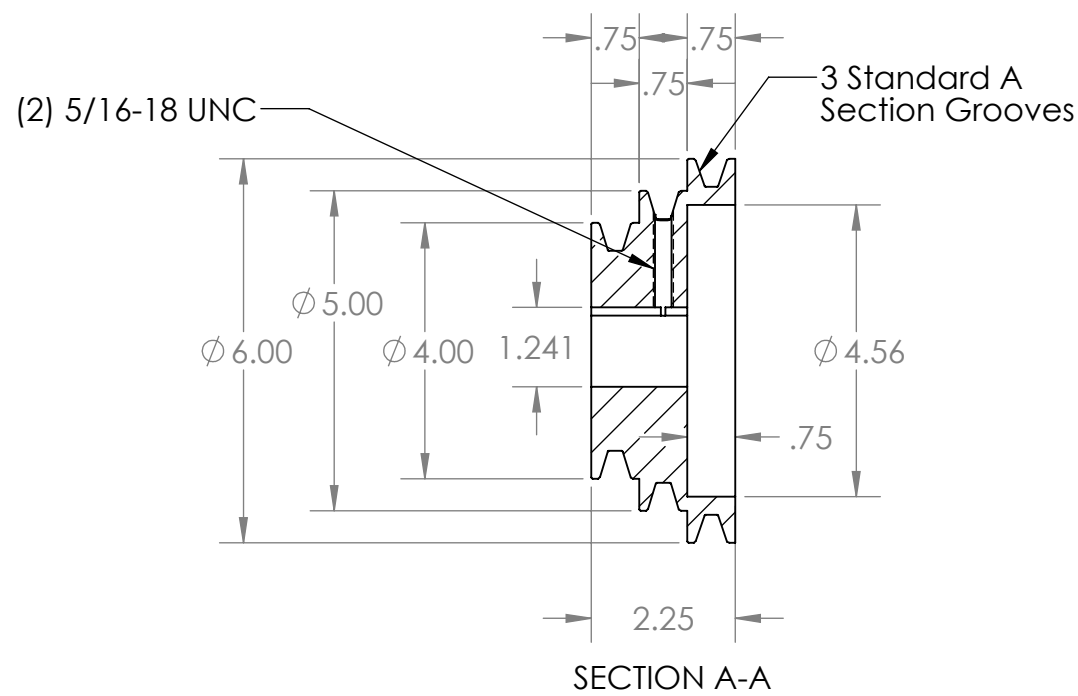


2

1


B

B



A

A

<p>PROPRIETARY AND CONFIDENTIAL</p> <p>THE INFORMATION CONTAINED IN THIS DRAWING IS THE SOLE PROPERTY OF MASTERDRIVE, INC. ANY REPRODUCTION IN PART OR AS A WHOLE WITHOUT THE WRITTEN PERMISSION OF MASTERDRIVE, INC. IS PROHIBITED.</p>					NAME	DATE	<p>MASTERDRIVE </p> <p>POWER TRANSMISSION PRODUCTS</p> <p>TITLE:</p> <p>AKS64-1-1/8</p>	
					DRAWN	EDG 06/24/21		
					CHECKED			
					ENG APPR.			
					MFG APPR.			
					Q.A.			
					COMMENTS:			
							SIZE DWG. NO. REV	
							A AKS64-1.125	
							SCALE: 1:3 WEIGHT: SHEET 1 OF 1	

2

1

INTERPRET GEOMETRIC TOLERANCING PER:

MATERIAL HT200 (Cast Iron)

FINISH Grey Paint

APPLICATION DO NOT SCALE DRAWING

NEXT ASSY USED ON