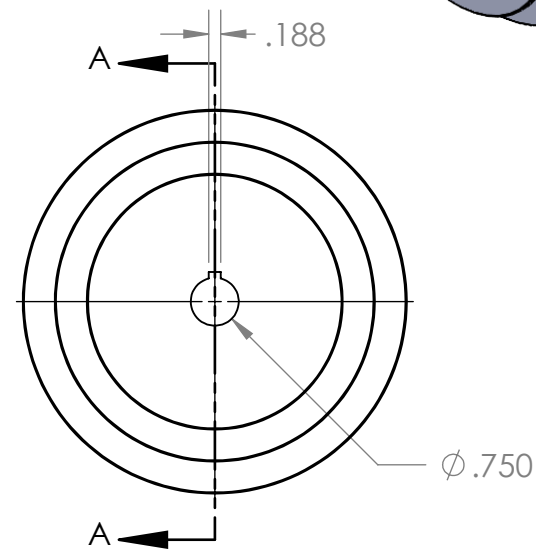
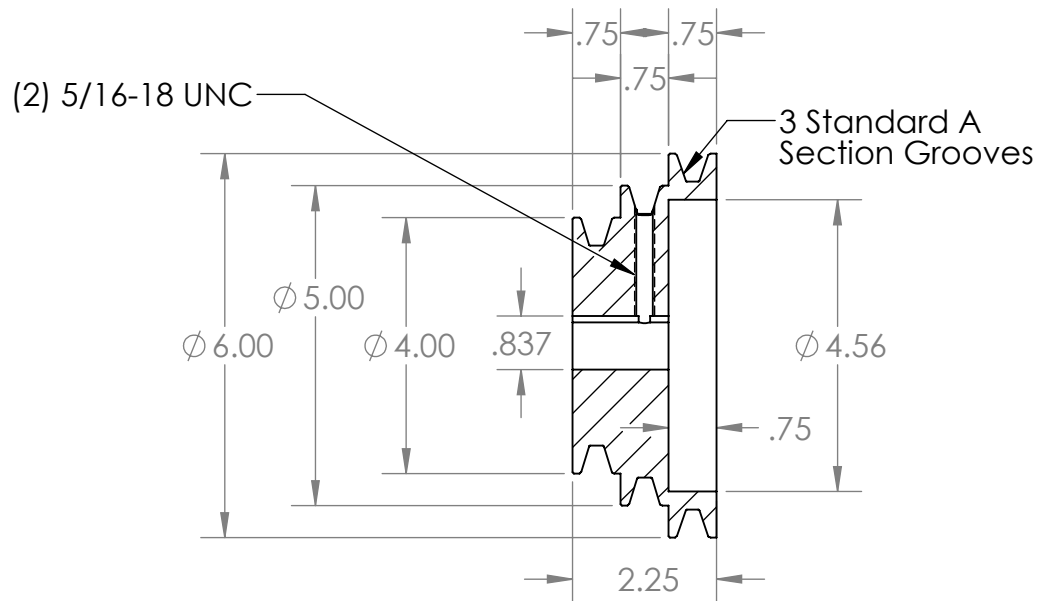
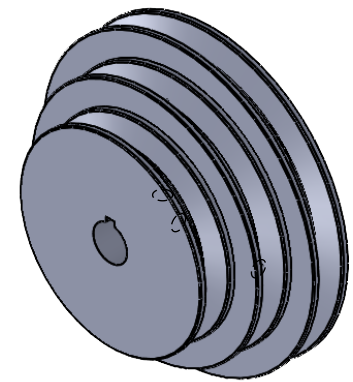


2

1

B

B



SECTION A-A

A

A

<p><b>PROPRIETARY AND CONFIDENTIAL</b> THE INFORMATION CONTAINED IN THIS DRAWING IS THE SOLE PROPERTY OF MASTERDRIVE, INC. ANY REPRODUCTION IN PART OR AS A WHOLE WITHOUT THE WRITTEN PERMISSION OF MASTERDRIVE, INC. IS PROHIBITED.</p>			INTERPRET GEOMETRIC TOLERANCING PER:	DRAWN	NAME	DATE			
			MATERIAL	CHECKED	EDG	06/24/21		TITLE:	
			FINISH	ENG APPR.					AKS64-3/4
	NEXT ASSY	USED ON	Grey Paint	MFG APPR.					SIZE
	APPLICATION		DO NOT SCALE DRAWING	Q.A.					DWG. NO.
			COMMENTS:				REV		
							AKS64-0.750		
							SCALE: 1:3		
							WEIGHT:		
							SHEET 1 OF 1		

2

1