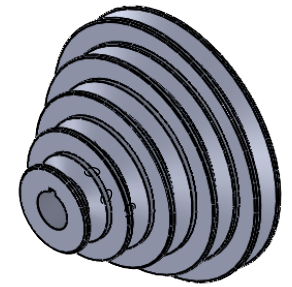
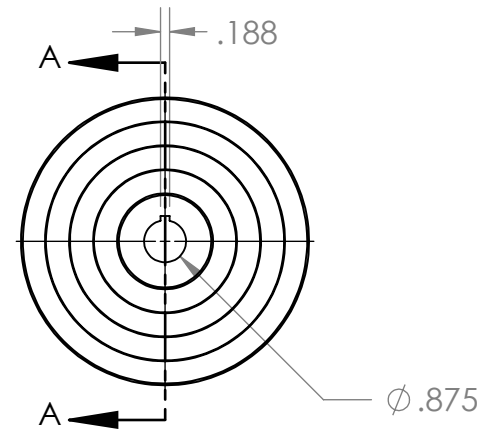
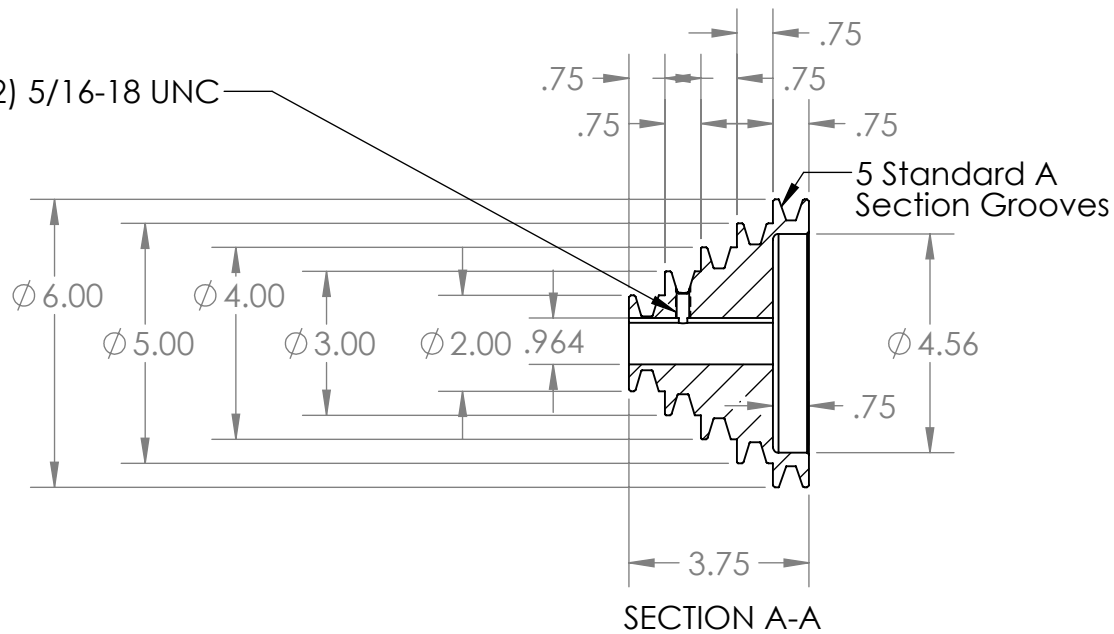



B

B

(2) 5/16-18 UNC



A

<p>PROPRIETARY AND CONFIDENTIAL</p> <p>THE INFORMATION CONTAINED IN THIS DRAWING IS THE SOLE PROPERTY OF MASTERDRIVE, INC. ANY REPRODUCTION IN PART OR AS A WHOLE WITHOUT THE WRITTEN PERMISSION OF MASTERDRIVE, INC. IS PROHIBITED.</p>					NAME	DATE	<p>MASTERDRIVE </p> <p>POWER TRANSMISSION PRODUCTS</p> <p>TITLE:</p> <p>AKS62-7/8</p>		
					DRAWN	EDG 06/24/21			
					CHECKED				
					ENG APPR.				
					MFG APPR.				
					Q.A.				
					COMMENTS:				
							SIZE	DWG. NO.	REV
							A	AKS62-0.875	
							SCALE: 1:4	WEIGHT:	SHEET 1 OF 1

PROPRIETARY AND CONFIDENTIAL

THE INFORMATION CONTAINED IN THIS DRAWING IS THE SOLE PROPERTY OF MASTERDRIVE, INC. ANY REPRODUCTION IN PART OR AS A WHOLE WITHOUT THE WRITTEN PERMISSION OF MASTERDRIVE, INC. IS PROHIBITED.

NEXT ASSY

USED ON

APPLICATION

INTERPRET GEOMETRIC TOLERANCING PER:

MATERIAL
HT200 (Cast Iron)FINISH
Grey Paint

DO NOT SCALE DRAWING

NAME

DATE

DRAWN

EDG

06/24/21

CHECKED

ENG APPR.

MFG APPR.

Q.A.

COMMENTS:

TITLE:

AKS62-7/8

SIZE

DWG. NO.

REV

A**AKS62-0.875**

SCALE: 1:4

WEIGHT:

SHEET 1 OF 1

2

1