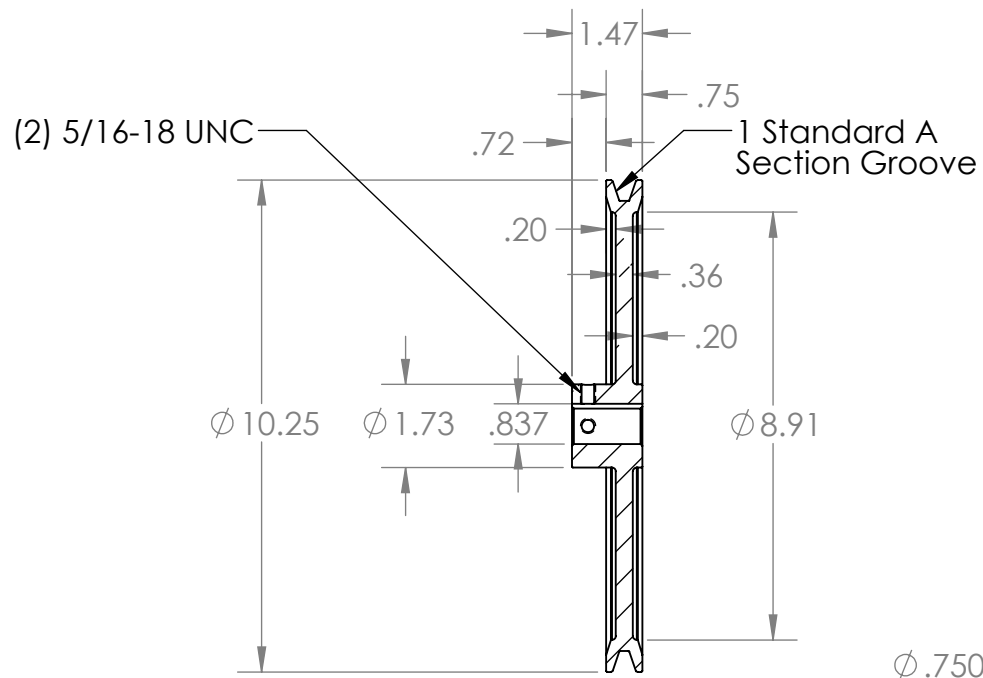


2

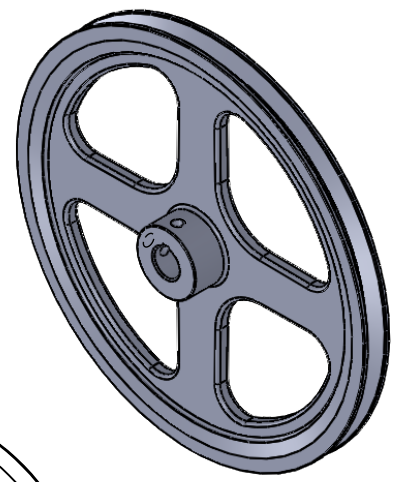
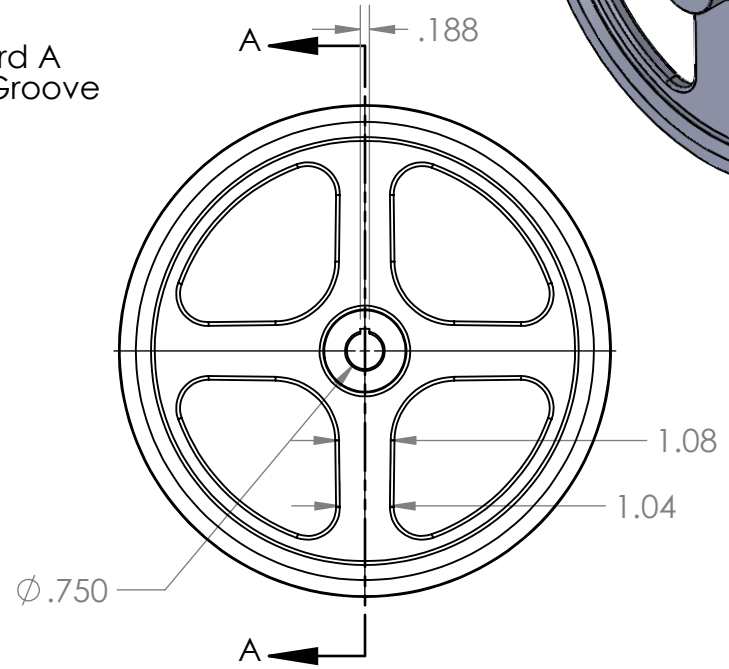
1

B

B



SECTION A-A



A

A

<p><b>PROPRIETARY AND CONFIDENTIAL</b> THE INFORMATION CONTAINED IN THIS DRAWING IS THE SOLE PROPERTY OF MASTERDRIVE, INC. ANY REPRODUCTION IN PART OR AS A WHOLE WITHOUT THE WRITTEN PERMISSION OF MASTERDRIVE, INC. IS PROHIBITED.</p>			INTERPRET GEOMETRIC TOLERANCING PER:	DRAWN	NAME	DATE		
			MATERIAL	CHECKED	EDG	03/30/21		
			FINISH	ENG APPR.				
	NEXT ASSY	USED ON	Grey Paint	MFG APPR.				
	APPLICATION		DO NOT SCALE DRAWING	Q.A.				
			COMMENTS:				TITLE:	
							<b>AK104-3/4</b>	
				SIZE	DWG. NO.	REV		
				<b>A</b>	<b>AK104-0.750</b>			
				SCALE: 1:4	WEIGHT:	SHEET 1 OF 1		

2

1