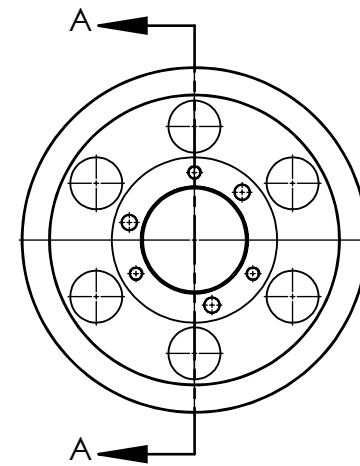
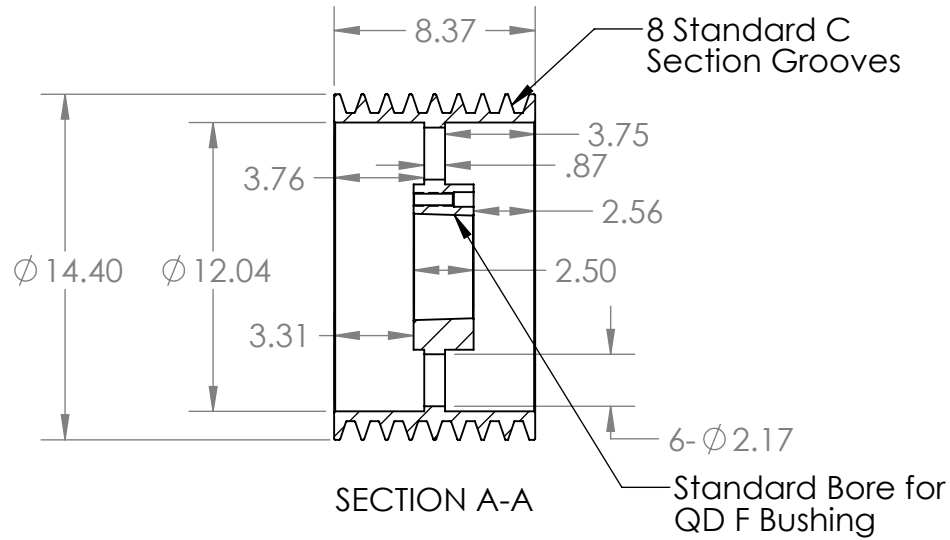
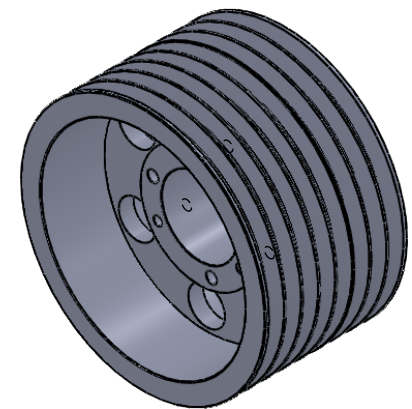


2

1

B

B



A

A

PROPRIETARY AND CONFIDENTIAL
 THE INFORMATION CONTAINED IN THIS DRAWING IS THE SOLE PROPERTY OF <INSERT COMPANY NAME HERE>. ANY REPRODUCTION IN PART OR AS A WHOLE WITHOUT THE WRITTEN PERMISSION OF <INSERT COMPANY NAME HERE> IS PROHIBITED.

| | | | | | |
|-------------|---------|--------------------------------------|-------------------|-----------|----------|
| | | | | NAME | DATE |
| | | | | EDG | 06/02/20 |
| | | | | CHECKED | |
| | | | | ENG APPR. | |
| | | | | MFG APPR. | |
| | | | | Q.A. | |
| | | | | COMMENTS: | |
| | | INTERPRET GEOMETRIC TOLERANCING PER: | | | |
| | | MATERIAL | HT200 (Cast Iron) | | |
| | | FINISH | Grey Paint | | |
| NEXT ASSY | USED ON | | | | |
| APPLICATION | | DO NOT SCALE DRAWING | | | |



| | | |
|------------|----------|--------------|
| TITLE: | | |
| 8C140F | | |
| SIZE | DWG. NO. | REV |
| A | 8C140F | |
| SCALE: 1:8 | WEIGHT: | SHEET 1 OF 1 |

2

1