

4

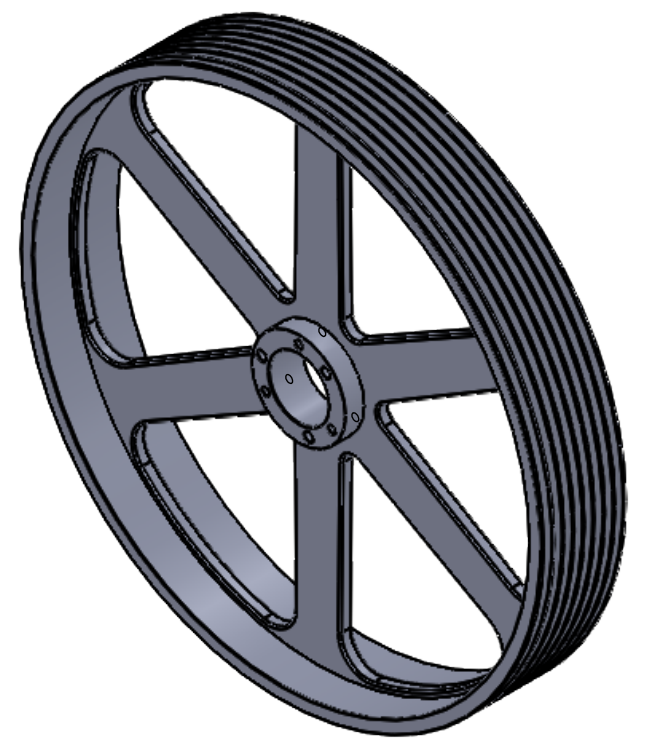
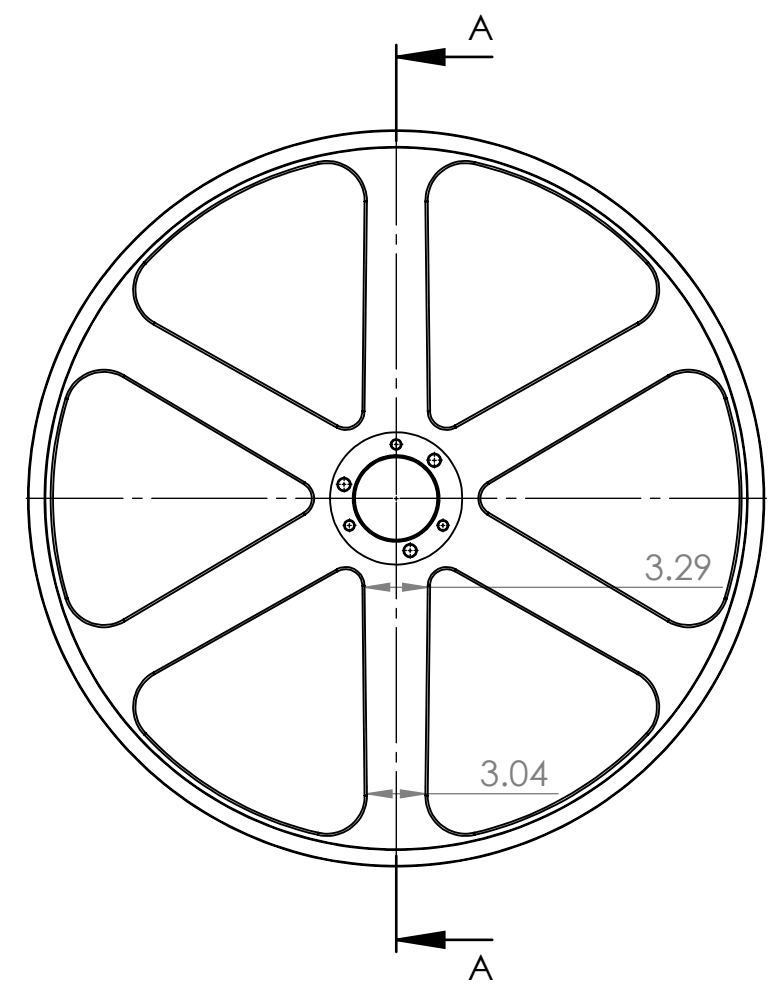
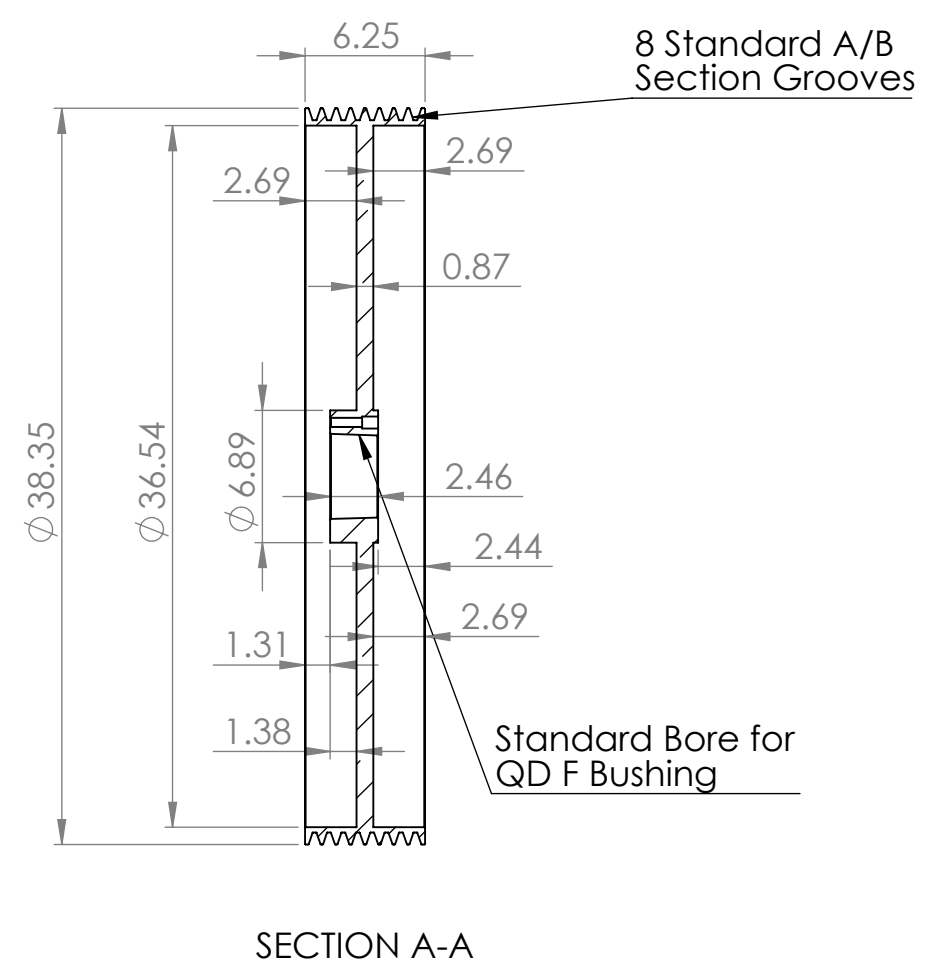
3

2

1

B

B



A

A

PROPRIETARY AND CONFIDENTIAL
 THE INFORMATION CONTAINED IN THIS DRAWING IS THE SOLE PROPERTY OF MASTERDRIVE, INC. ANY REPRODUCTION IN PART OR AS A WHOLE WITHOUT THE WRITTEN PERMISSION OF MASTERDRIVE, INC. IS PROHIBITED.

			NAME	DATE	
			DRAWN	EDG 01/17/19	
			CHECKED		
			ENG APPR.		
			MFG APPR.		
			Q.A.		TITLE:
			COMMENTS:		8B380F
					SIZE DWG. NO. REV
					B 8B380F
					SCALE: 1:10 WEIGHT: SHEET 1 OF 1

		INTERPRET GEOMETRIC TOLERANCING PER:
		MATERIAL HT200 (Cast Iron)
		FINISH Grey Paint
NEXT ASSY	USED ON	APPLICATION
		DO NOT SCALE DRAWING

4

3

2

1