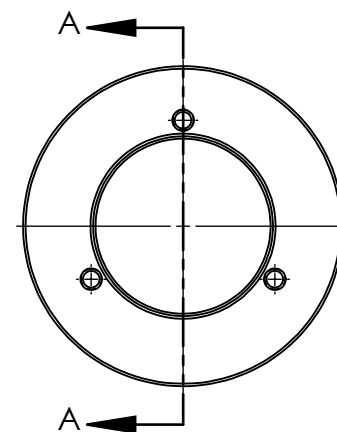
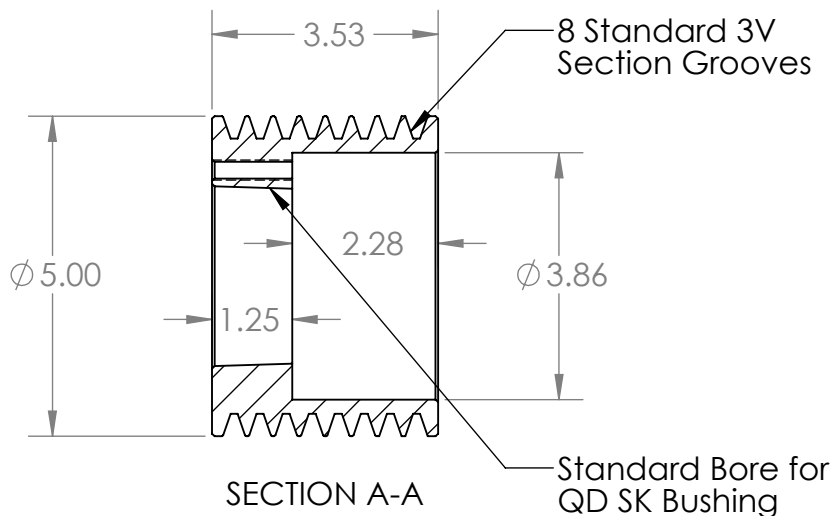
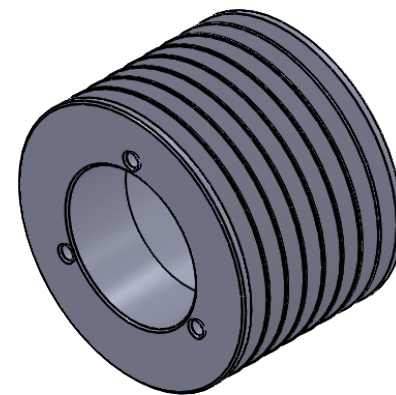


2

1

B

B



A

A

**PROPRIETARY AND CONFIDENTIAL**  
 THE INFORMATION CONTAINED IN THIS DRAWING IS THE SOLE PROPERTY OF <INSERT COMPANY NAME HERE>. ANY REPRODUCTION IN PART OR AS A WHOLE WITHOUT THE WRITTEN PERMISSION OF <INSERT COMPANY NAME HERE> IS PROHIBITED.

|  |             |         |                                      |           |      |          |
|--|-------------|---------|--------------------------------------|-----------|------|----------|
|  |             |         |                                      |           | NAME | DATE     |
|  |             |         |                                      | DRAWN     | EDG  | 06/17/20 |
|  |             |         |                                      | CHECKED   |      |          |
|  |             |         |                                      | ENG APPR. |      |          |
|  |             |         |                                      | MFG APPR. |      |          |
|  |             |         |                                      | Q.A.      |      |          |
|  |             |         |                                      | COMMENTS: |      |          |
|  |             |         | INTERPRET GEOMETRIC TOLERANCING PER: |           |      |          |
|  |             |         | MATERIAL                             |           |      |          |
|  |             |         | HT200 (Cast Iron)                    |           |      |          |
|  |             |         | FINISH                               |           |      |          |
|  |             |         | Grey Paint                           |           |      |          |
|  | NEXT ASSY   | USED ON |                                      |           |      |          |
|  | APPLICATION |         | DO NOT SCALE DRAWING                 |           |      |          |



|            |          |              |
|------------|----------|--------------|
| TITLE:     |          |              |
| 8/3V500SK  |          |              |
| SIZE       | DWG. NO. | REV          |
| <b>A</b>   | 83V500SK |              |
| SCALE: 1:3 | WEIGHT:  | SHEET 1 OF 1 |

2

1