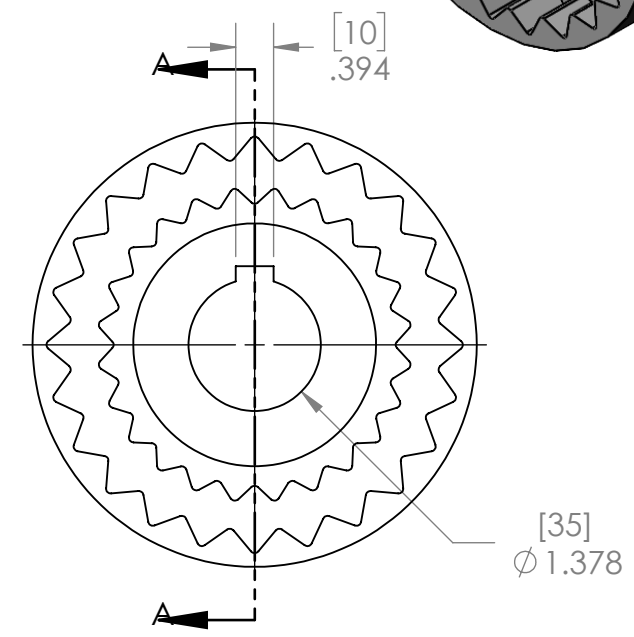
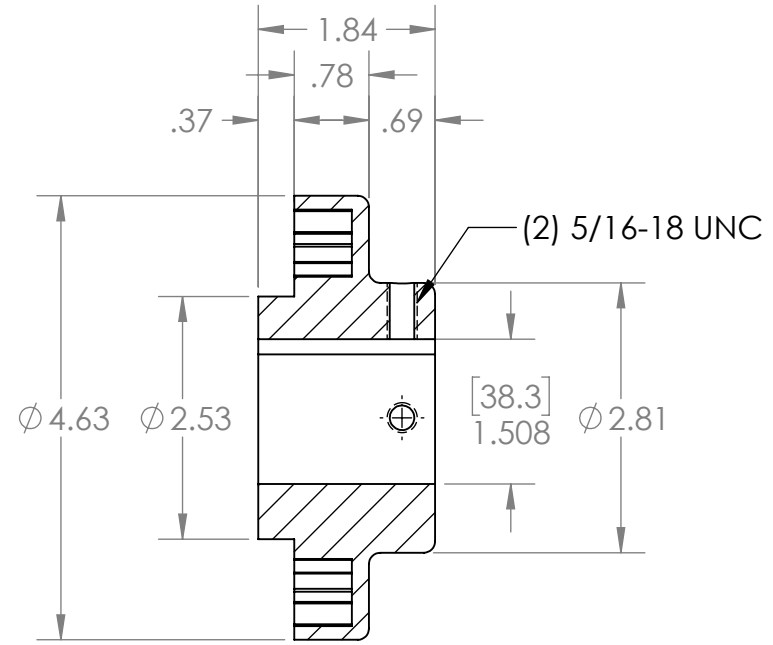
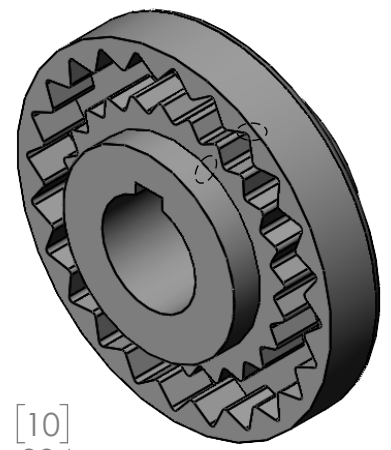


2

1

B

B



SECTION A-A

A

A

PROPRIETARY AND CONFIDENTIAL
 THE INFORMATION CONTAINED IN THIS DRAWING IS THE SOLE PROPERTY OF MASTERDRIVE, INC. ANY REPRODUCTION IN PART OR AS A WHOLE WITHOUT THE WRITTEN PERMISSION OF MASTERDRIVE, INC. IS PROHIBITED.

				NAME	DATE
				DRAWN	EDG 05/19/22
				CHECKED	
				ENG APPR.	
				MFG APPR.	
				Q.A.	
				COMMENTS:	
				INTERPRET GEOMETRIC TOLERANCING PER:	
				MATERIAL	
				HT200 (Cast Iron)	
				FINISH	
				Grey Paint	
				NEXT ASSY	
				USED ON	
				APPLICATION	
				DO NOT SCALE DRAWING	



TITLE:
7S-35MM

SIZE **A** DWG. NO. **7S-35MM** REV

SCALE: 1:2 WEIGHT: SHEET 1 OF 1

2

1