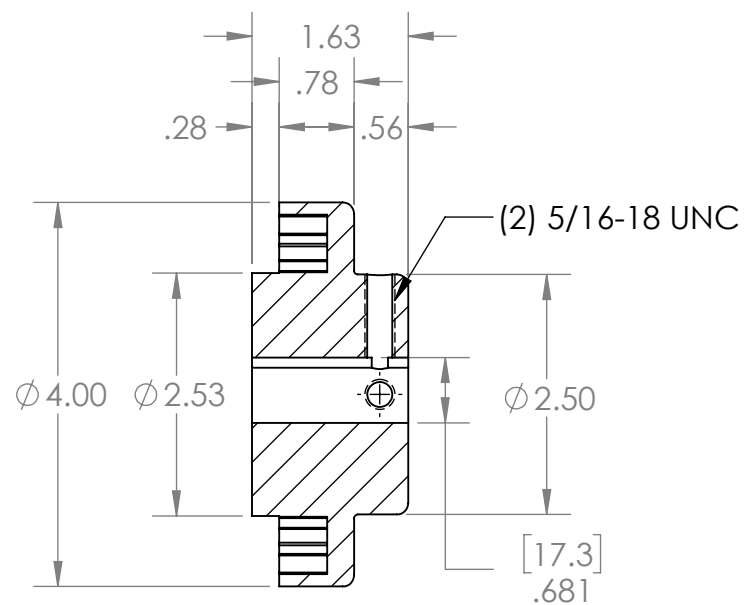
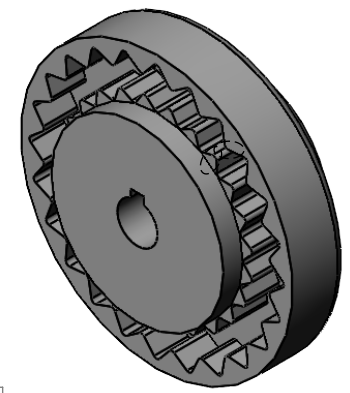


2

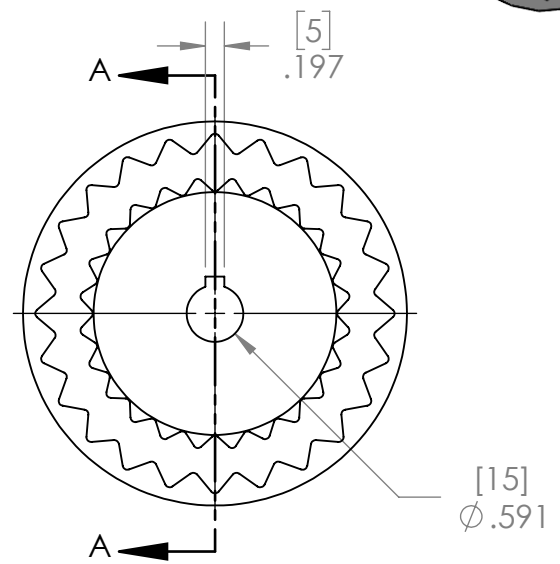
1

B

B



SECTION A-A



A

A

PROPRIETARY AND CONFIDENTIAL
 THE INFORMATION CONTAINED IN THIS DRAWING IS THE SOLE PROPERTY OF MASTERDRIVE, INC. ANY REPRODUCTION IN PART OR AS A WHOLE WITHOUT THE WRITTEN PERMISSION OF MASTERDRIVE, INC. IS PROHIBITED.

| | | | | | |
|--|-------------|---------|--|--------------------------------------|--------------|
| | | | | NAME | DATE |
| | | | | DRAWN | EDG 05/18/22 |
| | | | | CHECKED | |
| | | | | ENG APPR. | |
| | | | | MFG APPR. | |
| | | | | Q.A. | |
| | | | | COMMENTS: | |
| | | | | INTERPRET GEOMETRIC TOLERANCING PER: | |
| | | | | MATERIAL HT200 (Cast Iron) | |
| | | | | FINISH Grey Paint | |
| | NEXT ASSY | USED ON | | | |
| | APPLICATION | | | DO NOT SCALE DRAWING | |



TITLE:
6S-15MM

SIZE **A** DWG. NO. **6S-15MM** REV

SCALE: 1:2 WEIGHT: SHEET 1 OF 1

2

1