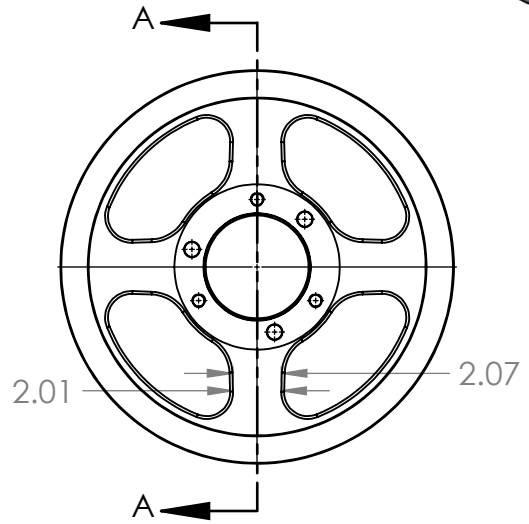
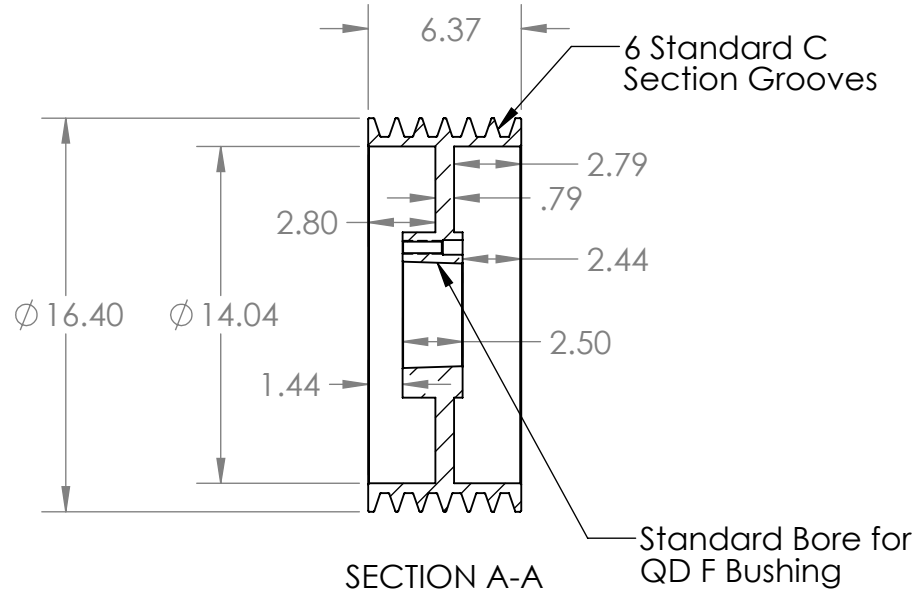
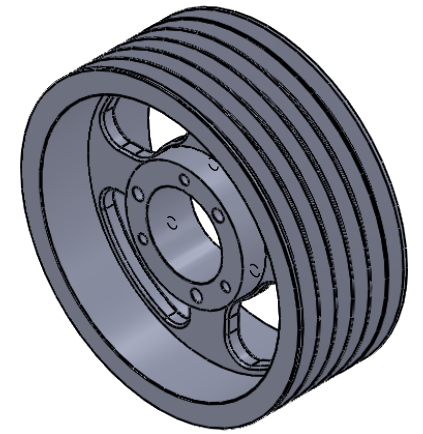


2

1

B

B



A

A

**PROPRIETARY AND CONFIDENTIAL**  
 THE INFORMATION CONTAINED IN THIS DRAWING IS THE SOLE PROPERTY OF <INSERT COMPANY NAME HERE>. ANY REPRODUCTION IN PART OR AS A WHOLE WITHOUT THE WRITTEN PERMISSION OF <INSERT COMPANY NAME HERE> IS PROHIBITED.

			INTERPRET GEOMETRIC TOLERANCING PER:
			MATERIAL HT200 (Cast Iron)
			FINISH Grey Paint
NEXT ASSY	USED ON		
APPLICATION		DO NOT SCALE DRAWING	

	NAME	DATE
DRAWN	EDG	06/01/20
CHECKED		
ENG APPR.		
MFG APPR.		
Q.A.		
COMMENTS:		

**MASTERDRIVE**  
 POWER TRANSMISSION PRODUCTS

TITLE:  
**6C160F**

SIZE <b>A</b>	DWG. NO. <b>6C160F</b>	REV
SCALE: 1:8	WEIGHT:	SHEET 1 OF 1

2

1