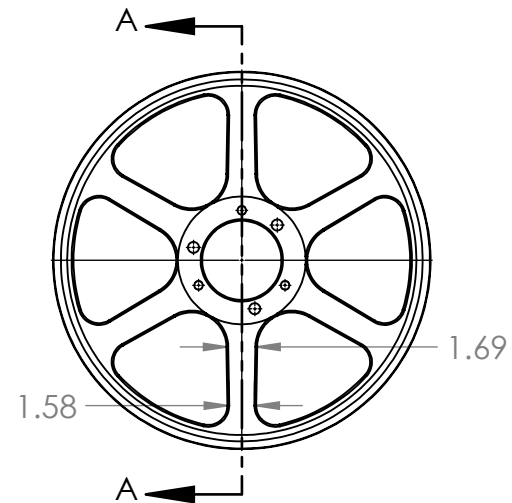
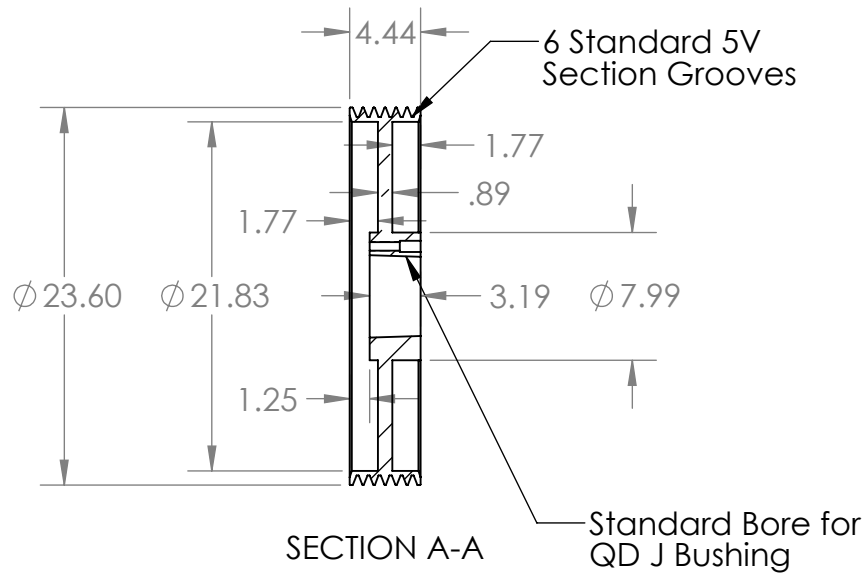
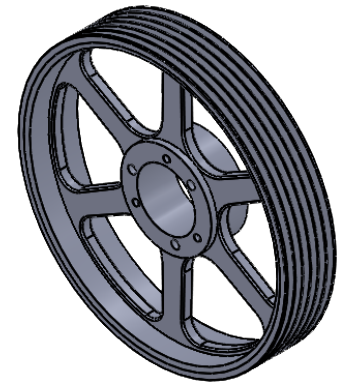


2

1


B

B



A

A

<p>PROPRIETARY AND CONFIDENTIAL</p> <p>THE INFORMATION CONTAINED IN THIS DRAWING IS THE SOLE PROPERTY OF <INSERT COMPANY NAME HERE>. ANY REPRODUCTION IN PART OR AS A WHOLE WITHOUT THE WRITTEN PERMISSION OF <INSERT COMPANY NAME HERE> IS PROHIBITED.</p>					NAME	DATE	<p>MASTERDRIVE </p> <p>POWER TRANSMISSION PRODUCTS</p> <p>TITLE:</p> <p>6/5V2360J</p>	
					DRAWN	EDG 07/02/20		
					CHECKED			
					ENG APPR.			
					MFG APPR.			
					Q.A.		<p>SIZE DWG. NO. REV</p> <p>A 65V2360J</p>	
				COMMENTS:				
NEXT ASSY	USED ON							
APPLICATION			INTERPRET GEOMETRIC TOLERANCING PER:				SCALE: 1:12 WEIGHT:	SHEET 1 OF 1
			MATERIAL	HT200 (Cast Iron)				
			FINISH	Grey Paint				
				DO NOT SCALE DRAWING				

2

1