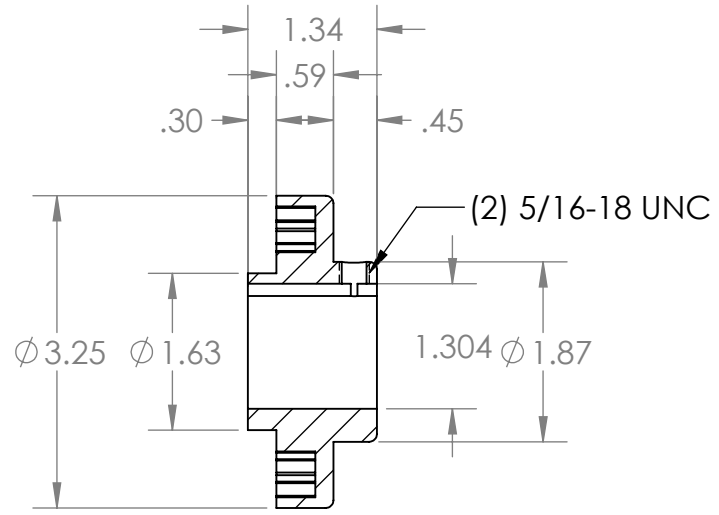
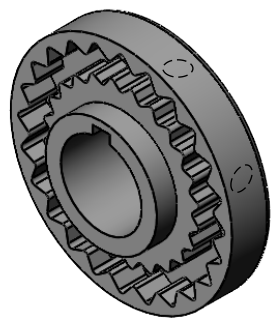


2

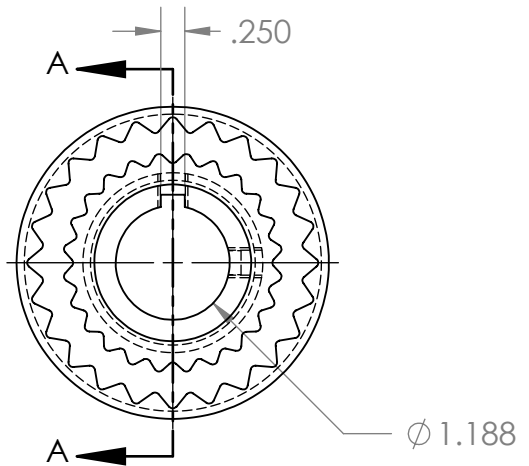
1

B

B



SECTION A-A




A

A

**PROPRIETARY AND CONFIDENTIAL**  
 THE INFORMATION CONTAINED IN THIS DRAWING IS THE SOLE PROPERTY OF MASTERDRIVE, INC. ANY REPRODUCTION IN PART OR AS A WHOLE WITHOUT THE WRITTEN PERMISSION OF MASTERDRIVE, INC. IS PROHIBITED.

		INTERPRET GEOMETRIC TOLERANCING PER:	
		MATERIAL Powdered Metal	
		FINISH None	
NEXT ASSY	USED ON		
APPLICATION		DO NOT SCALE DRAWING	

	NAME	DATE
DRAWN	EDG	05/13/22
CHECKED		
ENG APPR.		
MFG APPR.		
Q.A.		
COMMENTS:		

**MASTERDRIVE**   
**POWER TRANSMISSION PRODUCTS**

TITLE:  
**5S-1-3/16**

SIZE <b>A</b>	DWG. NO. <b>5S-1.188</b>	REV
SCALE: 1:2	WEIGHT:	SHEET 1 OF 1

2

1