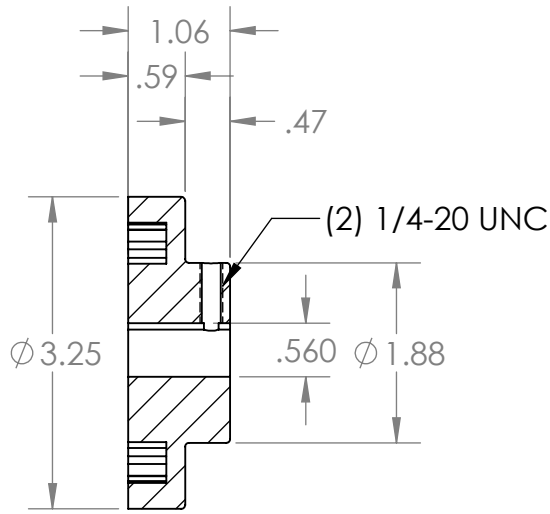
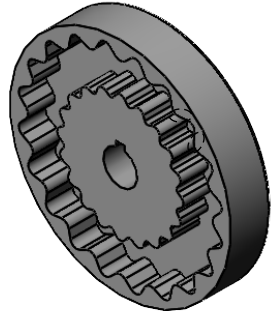


2

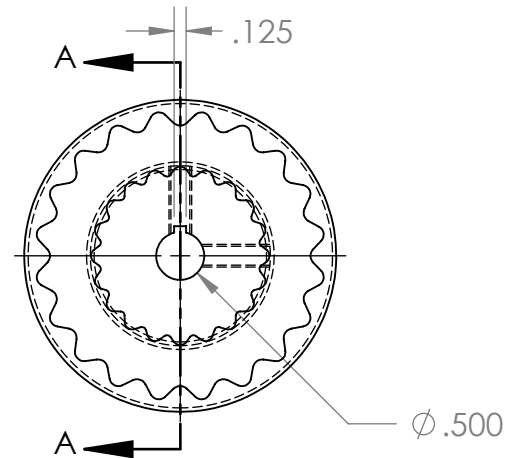
1

B

B




SECTION A-A



A

A

<p>PROPRIETARY AND CONFIDENTIAL THE INFORMATION CONTAINED IN THIS DRAWING IS THE SOLE PROPERTY OF MASTERDRIVE, INC. ANY REPRODUCTION IN PART OR AS A WHOLE WITHOUT THE WRITTEN PERMISSION OF MASTERDRIVE, INC. IS PROHIBITED.</p>			INTERPRET GEOMETRIC TOLERANCING PER:	DRAWN	NAME	DATE	<p>MASTERDRIVE  POWER TRANSMISSION PRODUCTS</p> <p>TITLE: 5J-1/2</p>		
			MATERIAL Powdered Metal	CHECKED	EDG	05/12/22		<p>SIZE A DWG. NO. 5J-0.500 REV</p>	
			FINISH None	ENG APPR.					<p>SCALE: 1:2 WEIGHT: SHEET 1 OF 1</p>
	NEXT ASSY	USED ON		MFG APPR.					
	APPLICATION		DO NOT SCALE DRAWING	COMMENTS:					

2

1