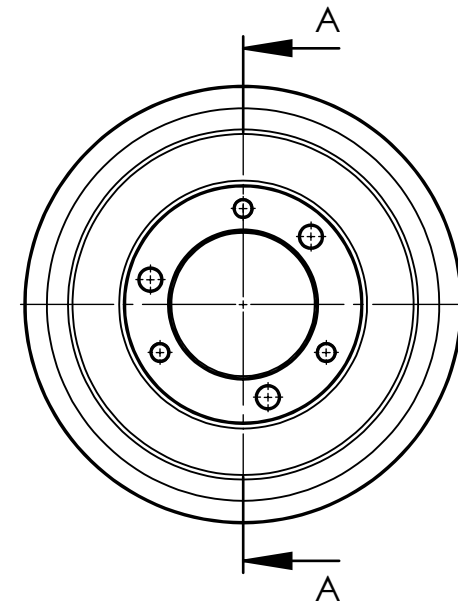
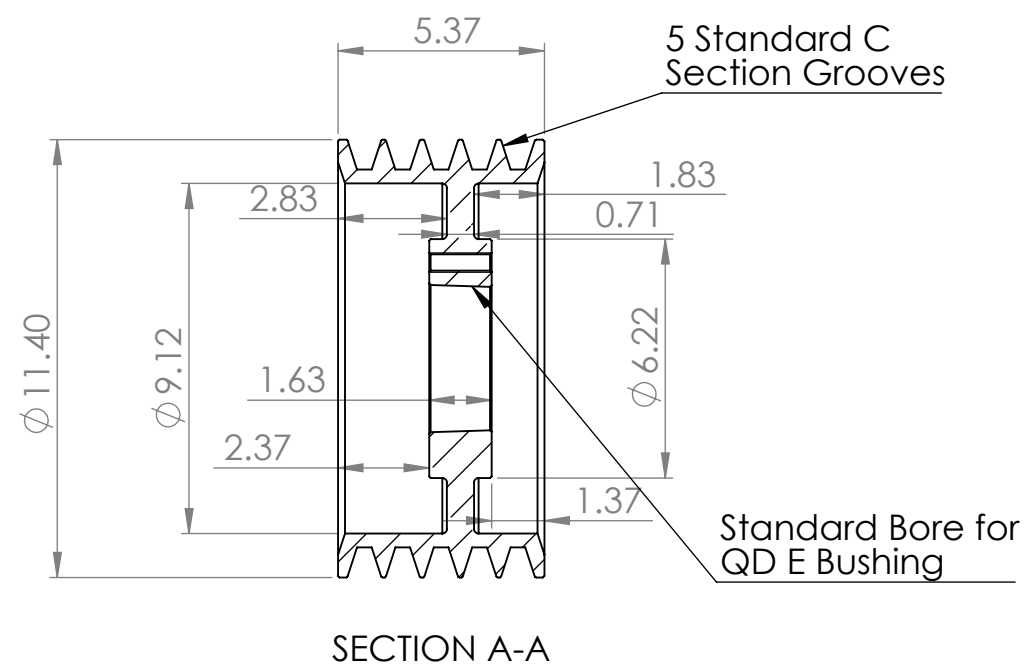
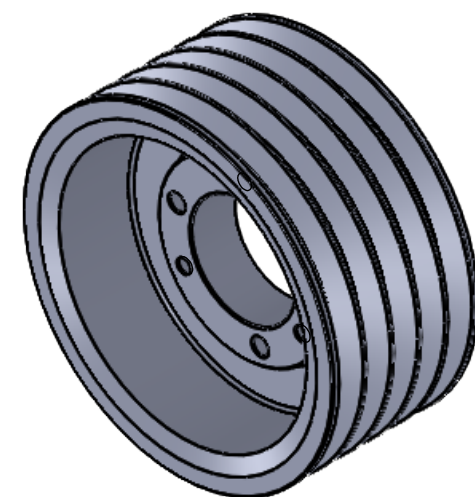


4

3

2

1



PROPRIETARY AND CONFIDENTIAL
 THE INFORMATION CONTAINED IN THIS DRAWING IS THE SOLE PROPERTY OF MASTERDRIVE, INC. ANY REPRODUCTION IN PART OR AS A WHOLE WITHOUT THE WRITTEN PERMISSION OF MASTERDRIVE, INC. IS PROHIBITED.

			NAME	DATE	
			DRAWN	EDG 08/08/18	
			CHECKED		
			ENG APPR.		
			MFG APPR.		
			Q.A.		TITLE:
			COMMENTS:		5C110E
					SIZE DWG. NO. REV
					B 5C110E
					SCALE: 1:5 WEIGHT: SHEET 1 OF 1

		INTERPRET GEOMETRIC TOLERANCING PER:
		MATERIAL
		HT200 (Cast Iron)
		FINISH
		Grey Paint
NEXT ASSY	USED ON	
APPLICATION		DO NOT SCALE DRAWING

4

3

2

1

B

B

A

A