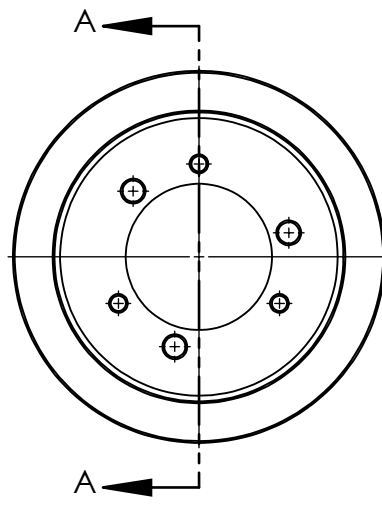
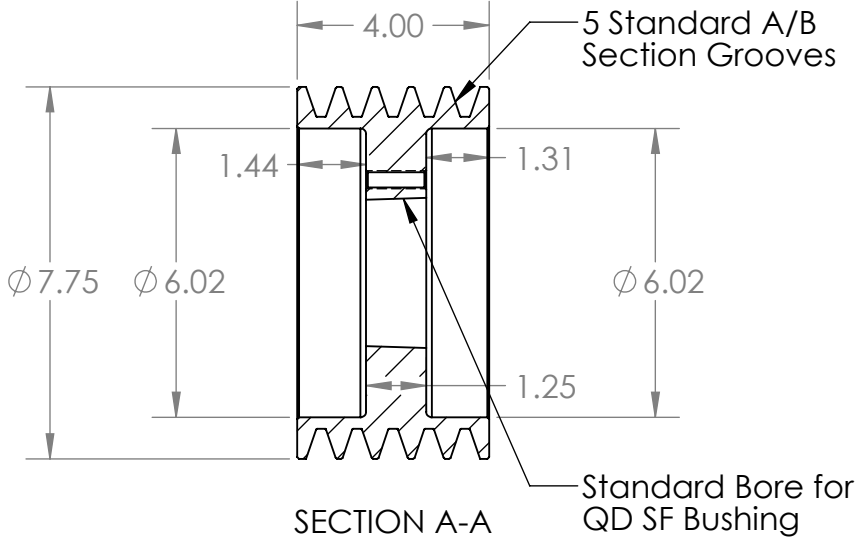
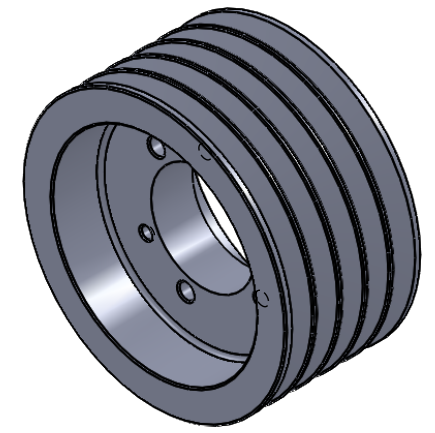


2

1

B

B



A

A

PROPRIETARY AND CONFIDENTIAL
 THE INFORMATION CONTAINED IN THIS DRAWING IS THE SOLE PROPERTY OF <INSERT COMPANY NAME HERE>. ANY REPRODUCTION IN PART OR AS A WHOLE WITHOUT THE WRITTEN PERMISSION OF <INSERT COMPANY NAME HERE> IS PROHIBITED.

| | | | | | |
|--|-------------|---------|--|--------------------------------------|--------------|
| | | | | NAME | DATE |
| | | | | DRAWN | EDG 02/17/20 |
| | | | | CHECKED | |
| | | | | ENG APPR. | |
| | | | | MFG APPR. | |
| | | | | Q.A. | |
| | | | | COMMENTS: | |
| | | | | INTERPRET GEOMETRIC TOLERANCING PER: | |
| | | | | MATERIAL HT200 (Cast Iron) | |
| | | | | FINISH Grey Paint | |
| | NEXT ASSY | USED ON | | | |
| | APPLICATION | | | | |
| | | | | DO NOT SCALE DRAWING | |



| | | |
|---------------|---------------|--------------|
| TITLE: | | |
| 5B74SF | | |
| SIZE | DWG. NO. | REV |
| A | 5B74SF | |
| SCALE: 1:4 | WEIGHT: | SHEET 1 OF 1 |

2

1