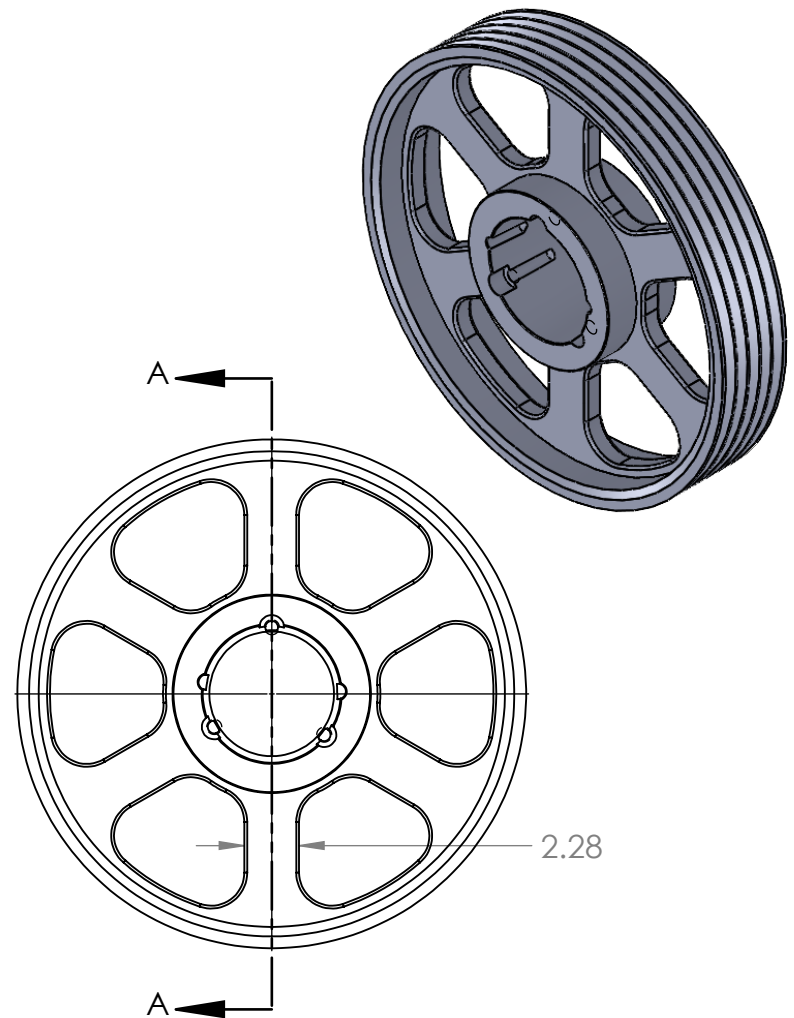


SECTION A-A



**PROPRIETARY AND CONFIDENTIAL**  
 THE INFORMATION CONTAINED IN THIS DRAWING IS THE SOLE PROPERTY OF MASTERDRIVE, INC. ANY REPRODUCTION IN PART OR AS A WHOLE WITHOUT THE WRITTEN PERMISSION OF MASTERDRIVE, INC. IS PROHIBITED.

			INTERPRET GEOMETRIC TOLERANCING PER:
			MATERIAL HT200 (Cast Iron)
			FINISH Grey Paint
NEXT ASSY	USED ON		
APPLICATION			DO NOT SCALE DRAWING

	NAME	DATE
DRAWN	EDG	10-04-21
CHECKED		
ENG APPR.		
MFG APPR.		
Q.A.		
COMMENTS:		

**MASTERDRIVE**  
 POWER TRANSMISSION PRODUCTS

TITLE:  
**5/5V2120-4040**

SIZE	DWG. NO.	REV
<b>A</b>	<b>55V2120-4040</b>	

SCALE: 1:8    WEIGHT:    SHEET 1 OF 1

B

B

A

A

2

1

2

1