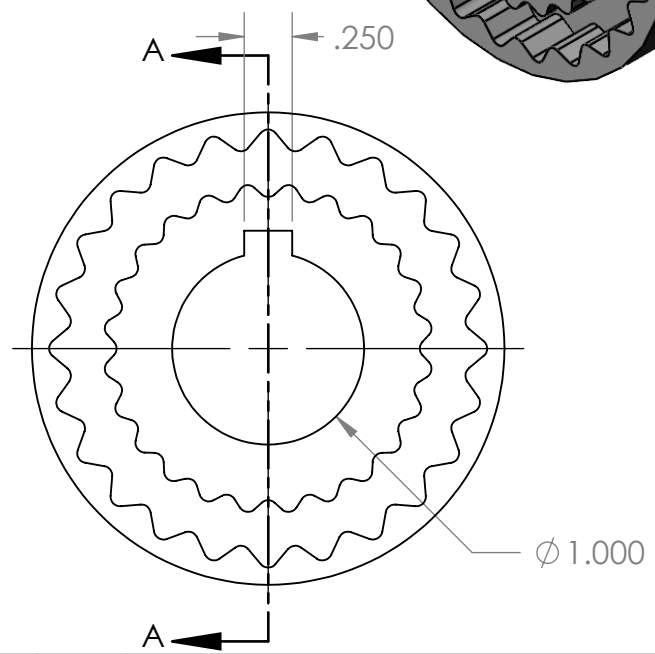
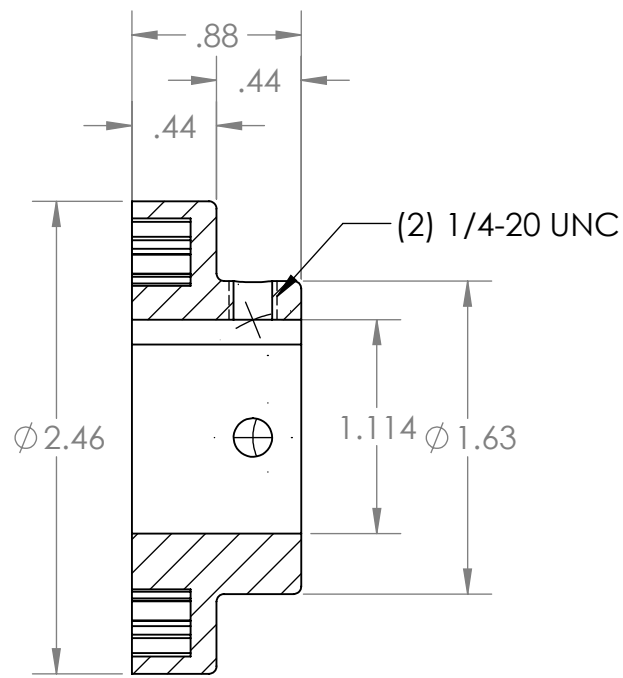
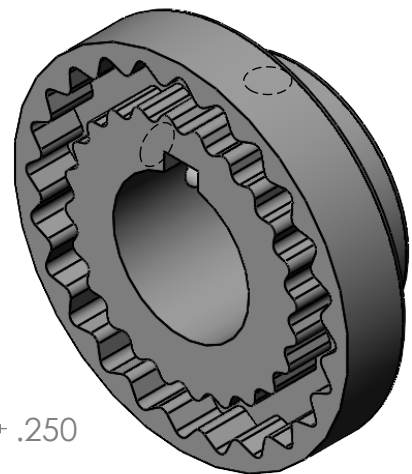


2

1

B

B



SECTION A-A


A

A

PROPRIETARY AND CONFIDENTIAL
 THE INFORMATION CONTAINED IN THIS DRAWING IS THE SOLE PROPERTY OF MASTERDRIVE, INC. ANY REPRODUCTION IN PART OR AS A WHOLE WITHOUT THE WRITTEN PERMISSION OF MASTERDRIVE, INC. IS PROHIBITED.

| | | | |
|-------------|---------|----------------------|--------------------------------------|
| | | | INTERPRET GEOMETRIC TOLERANCING PER: |
| | | | MATERIAL Powdered Metal |
| | | | FINISH None |
| NEXT ASSY | USED ON | | |
| APPLICATION | | DO NOT SCALE DRAWING | |

| | | |
|-----------|------|----------|
| | NAME | DATE |
| DRAWN | EDG | 05/10/22 |
| CHECKED | | |
| ENG APPR. | | |
| MFG APPR. | | |
| Q.A. | | |
| COMMENTS: | | |

MASTERDRIVE 
POWER TRANSMISSION PRODUCTS

TITLE:
4J-1

| | | |
|------------------|-----------------------------|--------------|
| SIZE A | DWG. NO. 4J-1.000 | REV |
| SCALE: 1:1 | WEIGHT: | SHEET 1 OF 1 |

2

1