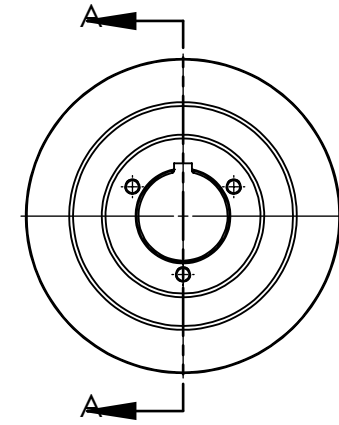
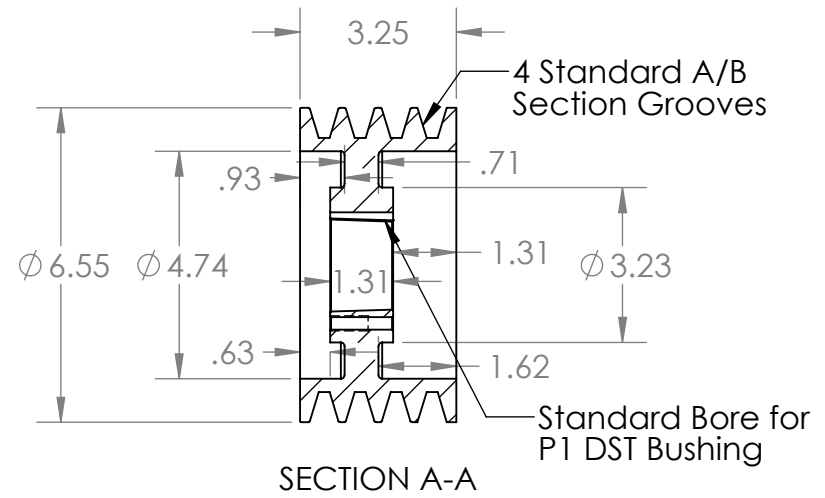
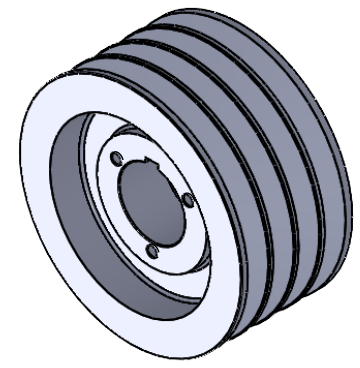


2

1

B

B



A

A

**PROPRIETARY AND CONFIDENTIAL**  
 THE INFORMATION CONTAINED IN THIS DRAWING IS THE SOLE PROPERTY OF MASTERDRIVE, INC. ANY REPRODUCTION IN PART OR AS A WHOLE WITHOUT THE WRITTEN PERMISSION OF MASTERDRIVE, INC. IS PROHIBITED.

|             |         |                                      |                   |      |          |
|-------------|---------|--------------------------------------|-------------------|------|----------|
|             |         |                                      |                   | NAME | DATE     |
|             |         |                                      | DRAWN             | EDG  | 08/27/21 |
|             |         |                                      | CHECKED           |      |          |
|             |         |                                      | ENG APPR.         |      |          |
|             |         |                                      | MFG APPR.         |      |          |
|             |         |                                      | Q.A.              |      |          |
|             |         |                                      | COMMENTS:         |      |          |
|             |         | INTERPRET GEOMETRIC TOLERANCING PER: |                   |      |          |
|             |         | MATERIAL                             | HT200 (Cast Iron) |      |          |
|             |         | FINISH                               | Grey Paint        |      |          |
| NEXT ASSY   | USED ON |                                      |                   |      |          |
| APPLICATION |         | DO NOT SCALE DRAWING                 |                   |      |          |



TITLE:  
**4B62P1**

SIZE **A** DWG. NO. **4B62P1** REV

SCALE: 1:4 WEIGHT: SHEET 1 OF 1

2

1