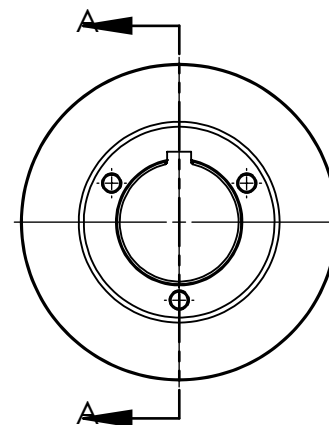
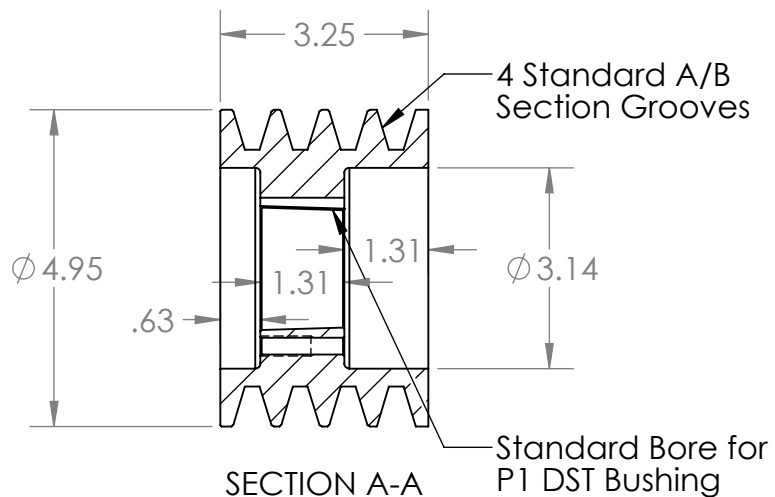
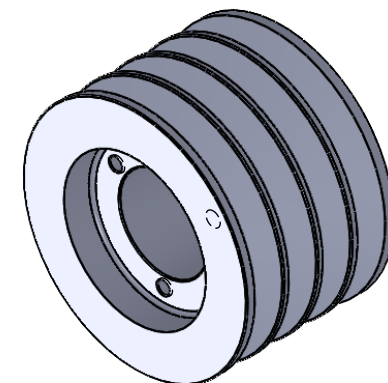


2

1

B

B



A

A

PROPRIETARY AND CONFIDENTIAL
 THE INFORMATION CONTAINED IN THIS DRAWING IS THE SOLE PROPERTY OF MASTERDRIVE, INC. ANY REPRODUCTION IN PART OR AS A WHOLE WITHOUT THE WRITTEN PERMISSION OF MASTERDRIVE, INC. IS PROHIBITED.

| | | | | | |
|-------------|---------|--|--------------------------------------|-----------|--------------|
| | | | | NAME | DATE |
| | | | | DRAWN | EDG 08/27/21 |
| | | | | CHECKED | |
| | | | | ENG APPR. | |
| | | | | MFG APPR. | |
| | | | | Q.A. | |
| | | | | COMMENTS: | |
| | | | INTERPRET GEOMETRIC TOLERANCING PER: | | |
| | | | MATERIAL | | |
| | | | HT200 (Cast Iron) | | |
| | | | FINISH | | |
| | | | Grey Paint | | |
| NEXT ASSY | USED ON | | | | |
| APPLICATION | | | DO NOT SCALE DRAWING | | |



| | | |
|------------|----------|--------------|
| TITLE: | | |
| 4B46P1 | | |
| SIZE | DWG. NO. | REV |
| A | 4B46P1 | |
| SCALE: 1:3 | WEIGHT: | SHEET 1 OF 1 |

2

1