

4

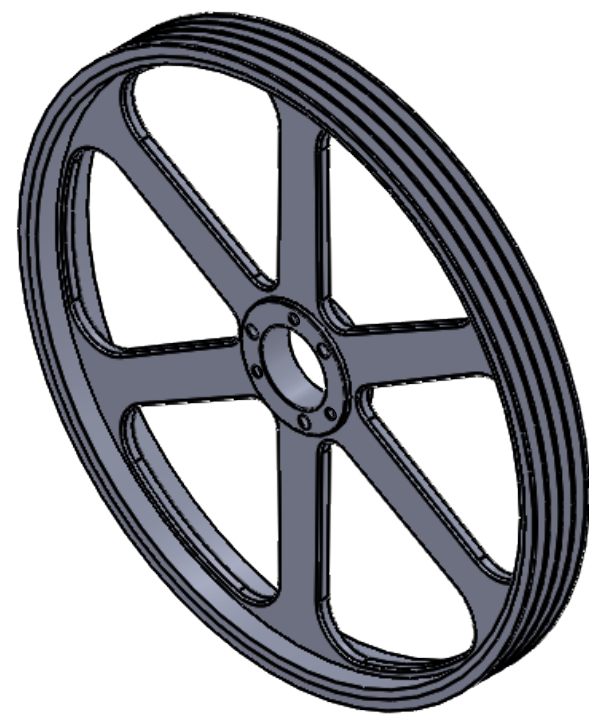
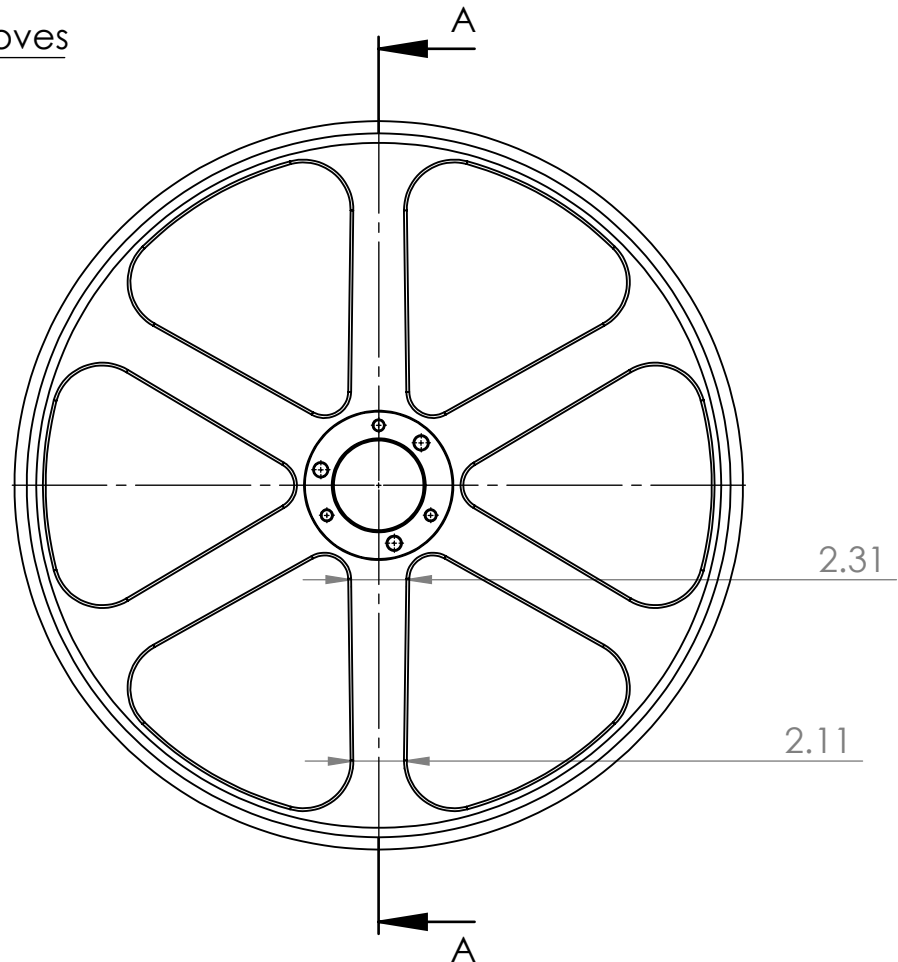
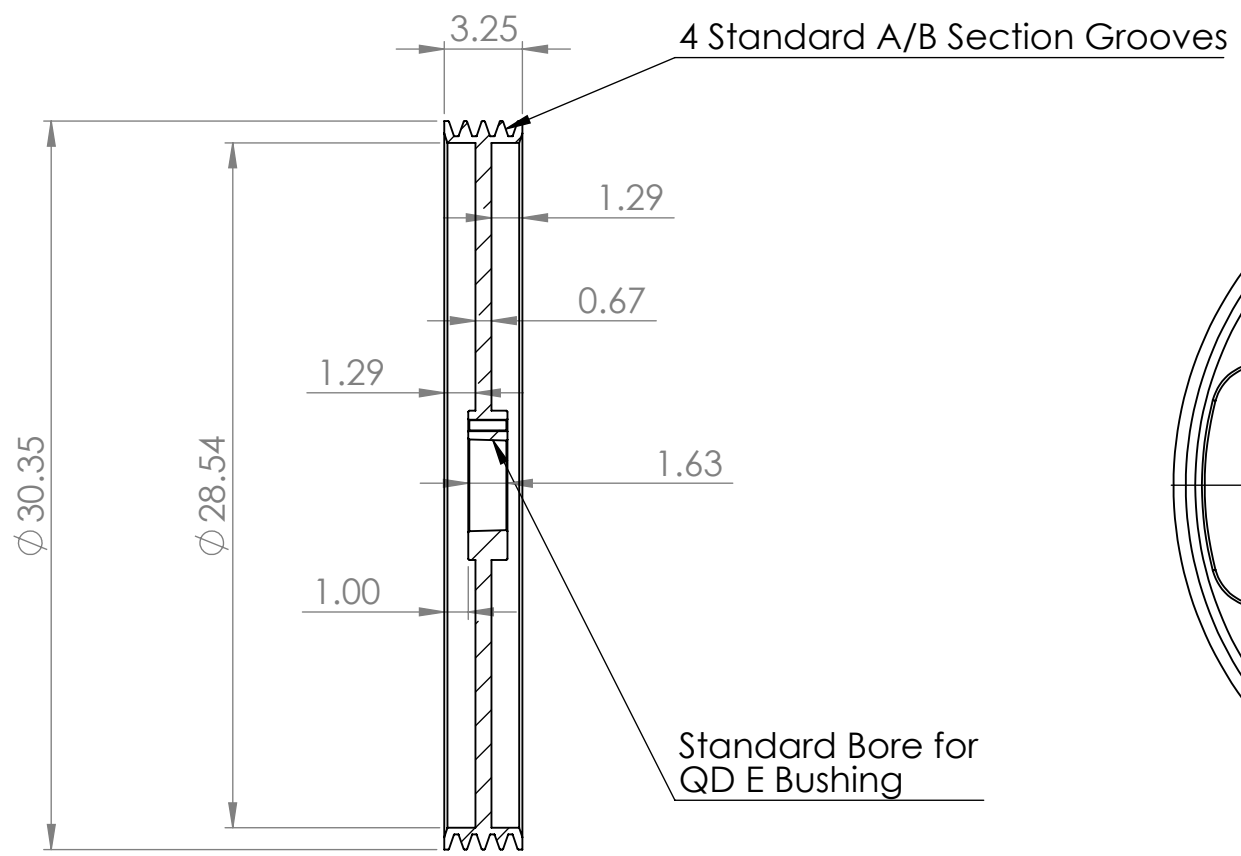
3

2

1

B

B



A

A

PROPRIETARY AND CONFIDENTIAL
 THE INFORMATION CONTAINED IN THIS DRAWING IS THE SOLE PROPERTY OF MASTERDRIVE, INC. ANY REPRODUCTION IN PART OR AS A WHOLE WITHOUT THE WRITTEN PERMISSION OF MASTERDRIVE, INC. IS PROHIBITED.

				NAME	DATE
			DRAWN	EDG	09/19/18
			CHECKED		
			ENG APPR.		
			MFG APPR.		
			Q.A.		
			COMMENTS:		
			INTERPRET GEOMETRIC TOLERANCING PER:		
			MATERIAL	HT200 (Cast Iron)	
			FINISH	Grey Paint	
NEXT ASSY	USED ON				
APPLICATION			DO NOT SCALE DRAWING		



TITLE:		
4B300E		
SIZE	DWG. NO.	REV
B	4B300E	
SCALE: 1:8	WEIGHT:	SHEET 1 OF 1

4

3

2

1