

4

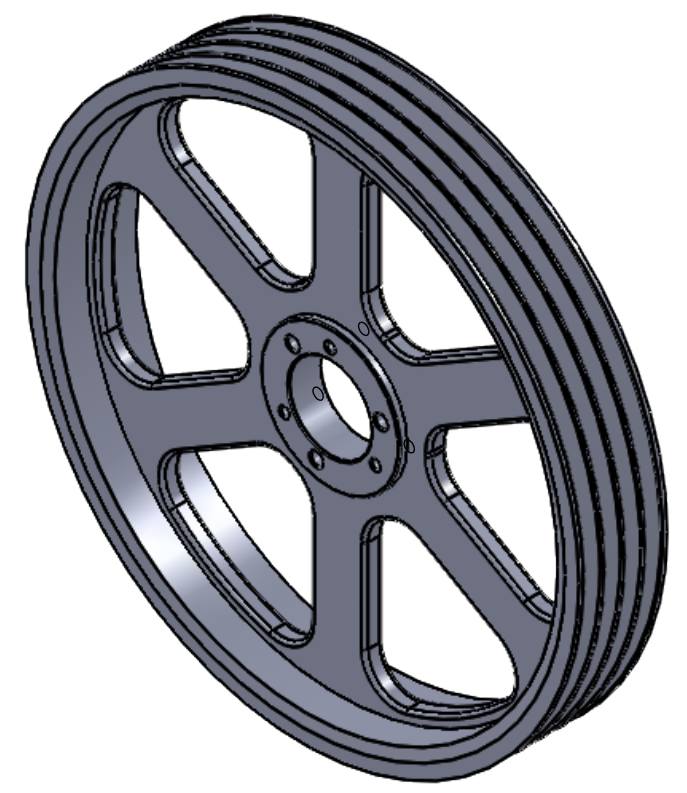
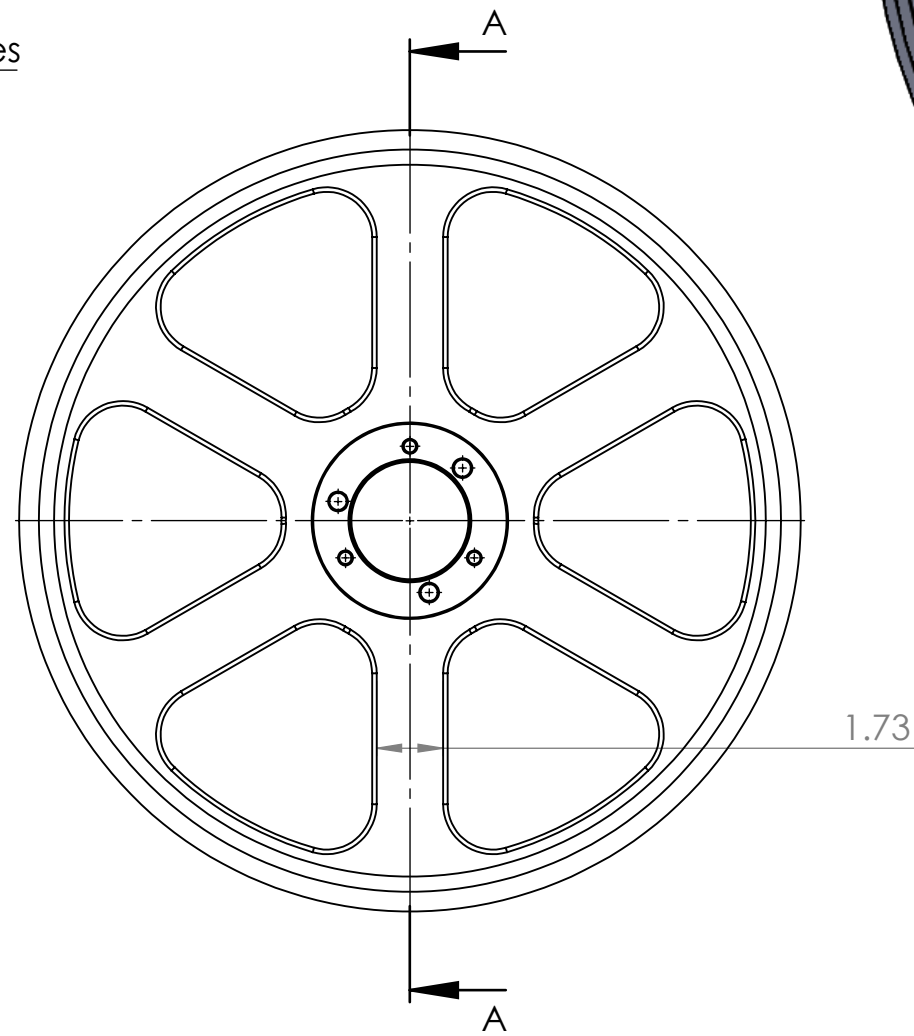
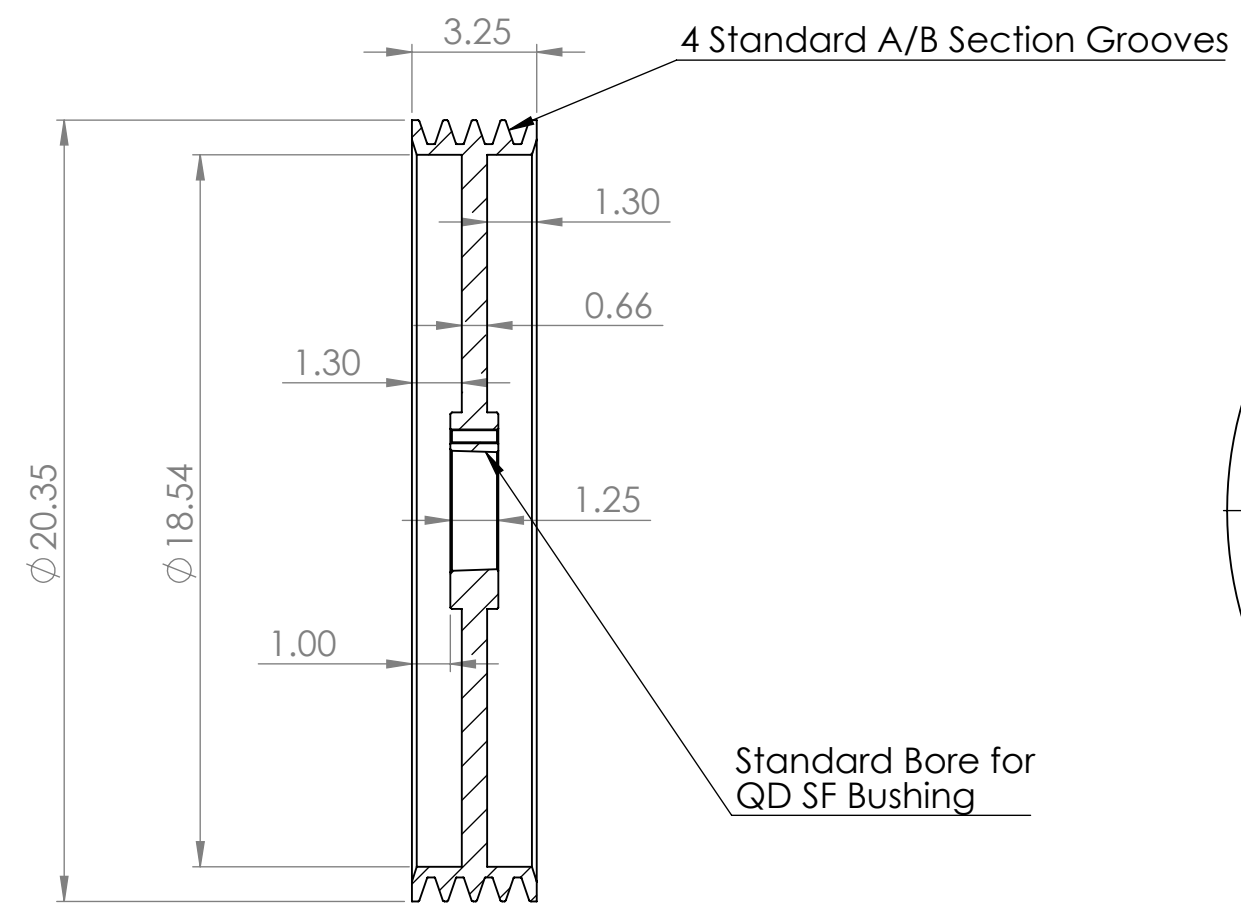
3

2

1

B

B



A

A

PROPRIETARY AND CONFIDENTIAL
 THE INFORMATION CONTAINED IN THIS DRAWING IS THE SOLE PROPERTY OF MASTERDRIVE, INC. ANY REPRODUCTION IN PART OR AS A WHOLE WITHOUT THE WRITTEN PERMISSION OF MASTERDRIVE, INC. IS PROHIBITED.

			NAME	DATE	
			DRAWN	EDG 09/19/18	
			CHECKED		
			ENG APPR.		
			MFG APPR.		
			Q.A.		TITLE:
			COMMENTS:		4B200SF
					SIZE DWG. NO. REV
					B 4B200SF
					SCALE: 1:5 WEIGHT: SHEET 1 OF 1

INTERPRET GEOMETRIC TOLERANCING PER:
 MATERIAL HT200 (Cast Iron)
 FINISH Grey Paint

NEXT ASSY USED ON

APPLICATION DO NOT SCALE DRAWING

4

3

2

1