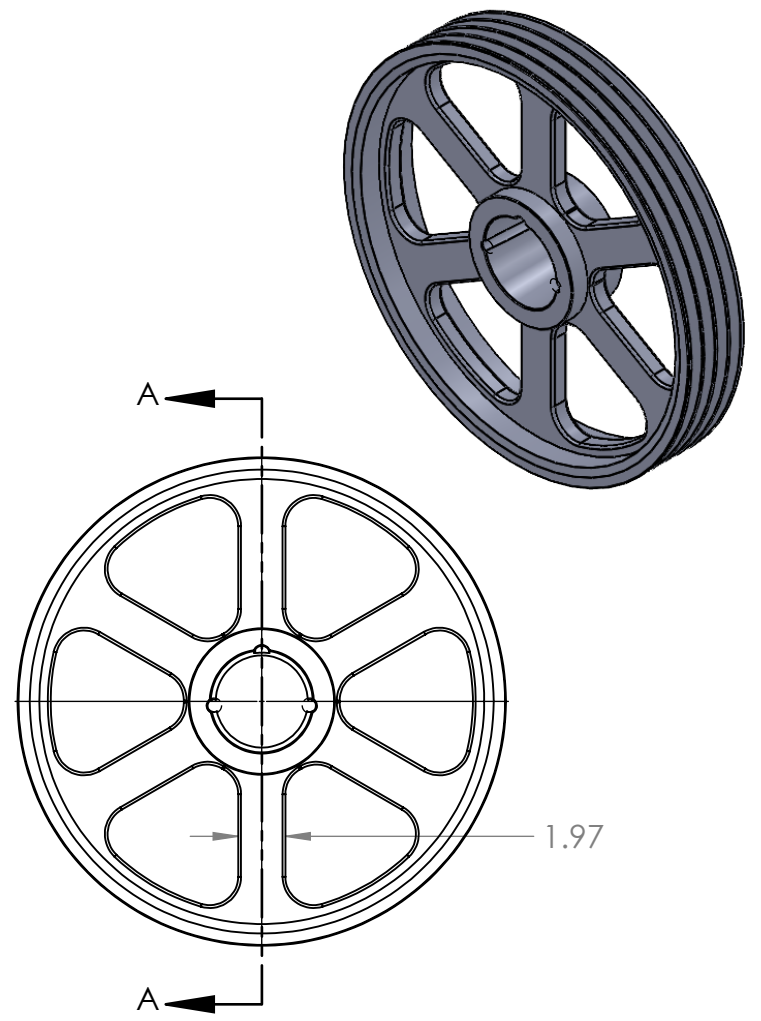
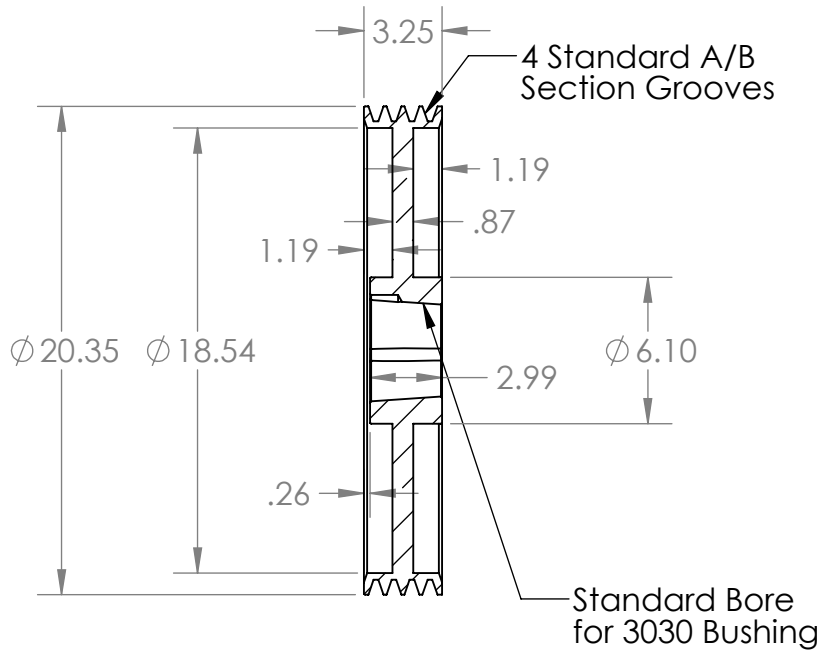


2

1

B

B



A

A

<p>PROPRIETARY AND CONFIDENTIAL THE INFORMATION CONTAINED IN THIS DRAWING IS THE SOLE PROPERTY OF MASTERDRIVE, INC. ANY REPRODUCTION IN PART OR AS A WHOLE WITHOUT THE WRITTEN PERMISSION OF MASTERDRIVE, INC. IS PROHIBITED.</p>			INTERPRET GEOMETRIC TOLERANCING PER:	DRAWN	NAME	DATE	<p>MASTERDRIVE POWER TRANSMISSION PRODUCTS</p> <p>TITLE: 4B200-3030</p>	
			MATERIAL	CHECKED	EDG	09/08/21		
			FINISH	ENG APPR.				
	NEXT ASSY	USED ON	Grey Paint	MFG APPR.				
	APPLICATION		DO NOT SCALE DRAWING	Q.A.				
			COMMENTS:				<p>SIZE DWG. NO. REV</p> <p>A 4B200-3030</p>	
							<p>SCALE: 1:8 WEIGHT: SHEET 1 OF 1</p>	

2

1