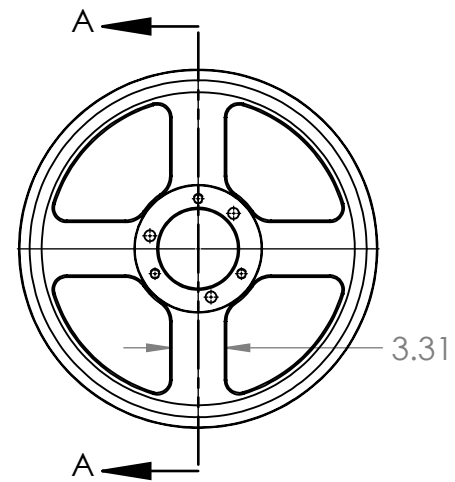
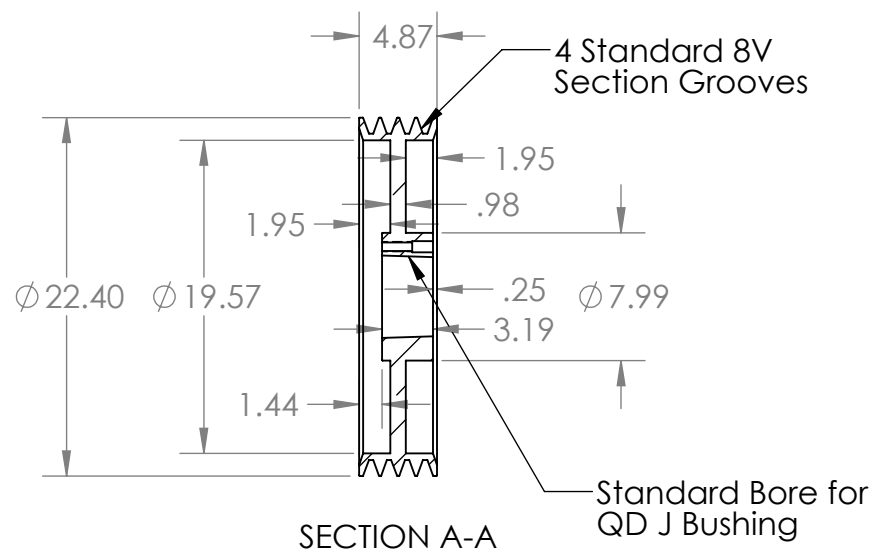
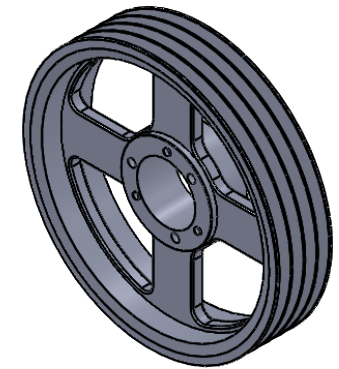


2

1

B

B



A

A

PROPRIETARY AND CONFIDENTIAL
 THE INFORMATION CONTAINED IN THIS DRAWING IS THE SOLE PROPERTY OF <INSERT COMPANY NAME HERE>. ANY REPRODUCTION IN PART OR AS A WHOLE WITHOUT THE WRITTEN PERMISSION OF <INSERT COMPANY NAME HERE> IS PROHIBITED.

					NAME	DATE
				DRAWN	EDG	07/09/20
				CHECKED		
				ENG APPR.		
				MFG APPR.		
				Q.A.		
				COMMENTS:		
			INTERPRET GEOMETRIC TOLERANCING PER:			
			MATERIAL			
			HT200 (Cast Iron)			
			FINISH			
			Grey Paint			
	NEXT ASSY	USED ON				
	APPLICATION		DO NOT SCALE DRAWING			



TITLE:		
4/8V2240J		
SIZE	DWG. NO.	REV
A	48V2240J	
SCALE: 1:12	WEIGHT:	SHEET 1 OF 1

2

1