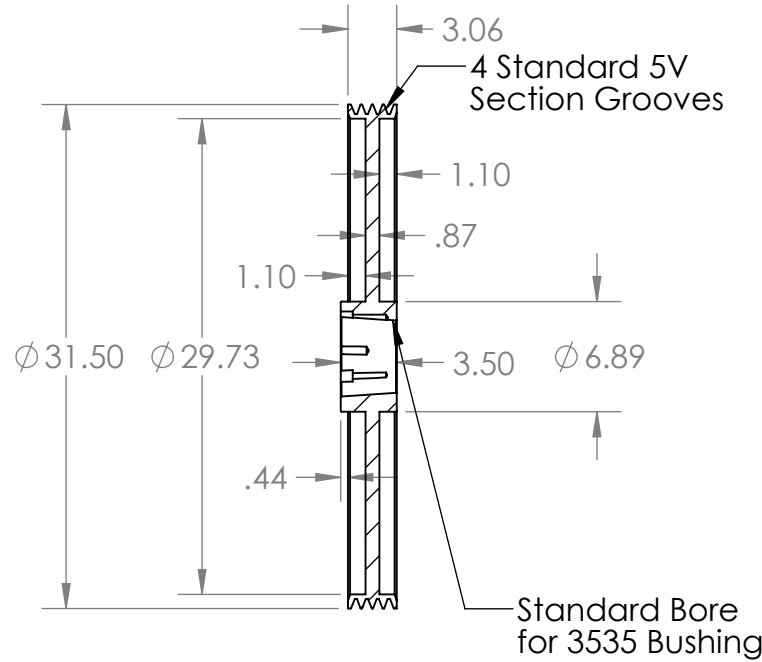


2

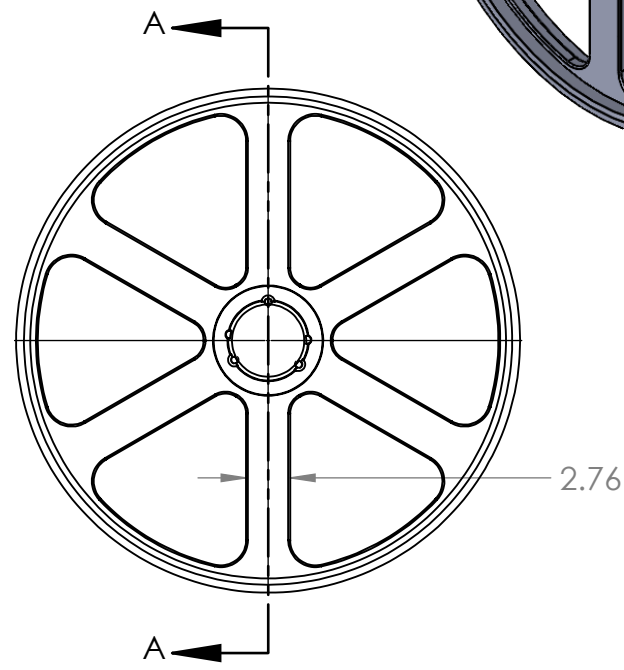
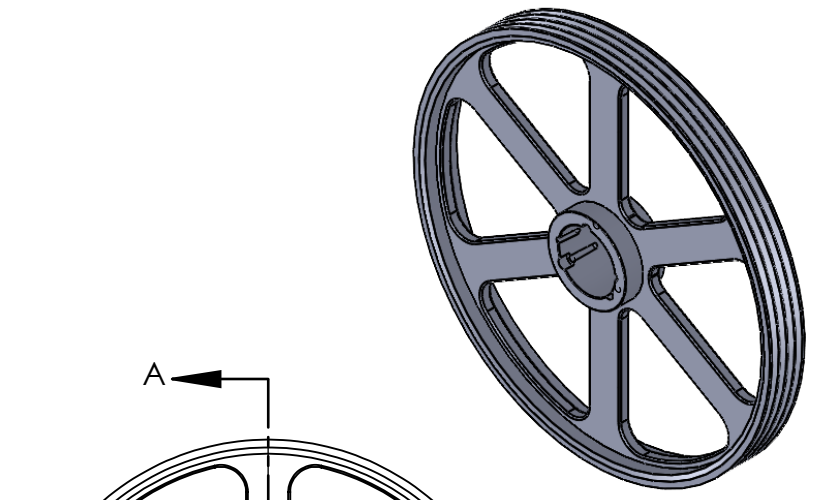
1

B

B



SECTION A-A



A

A

PROPRIETARY AND CONFIDENTIAL
 THE INFORMATION CONTAINED IN THIS DRAWING IS THE SOLE PROPERTY OF MASTERDRIVE, INC. ANY REPRODUCTION IN PART OR AS A WHOLE WITHOUT THE WRITTEN PERMISSION OF MASTERDRIVE, INC. IS PROHIBITED.

		INTERPRET GEOMETRIC TOLERANCING PER:
		MATERIAL HT200 (Cast Iron)
NEXT ASSY	USED ON	FINISH Grey Paint
APPLICATION		DO NOT SCALE DRAWING

	NAME	DATE
DRAWN	EDG	09/30/21
CHECKED		
ENG APPR.		
MFG APPR.		
Q.A.		
COMMENTS:		



TITLE:
4/5V3150-3535

SIZE DWG. NO. REV
A 45V3150-3535

SCALE: 1:12 WEIGHT: SHEET 1 OF 1

2

1