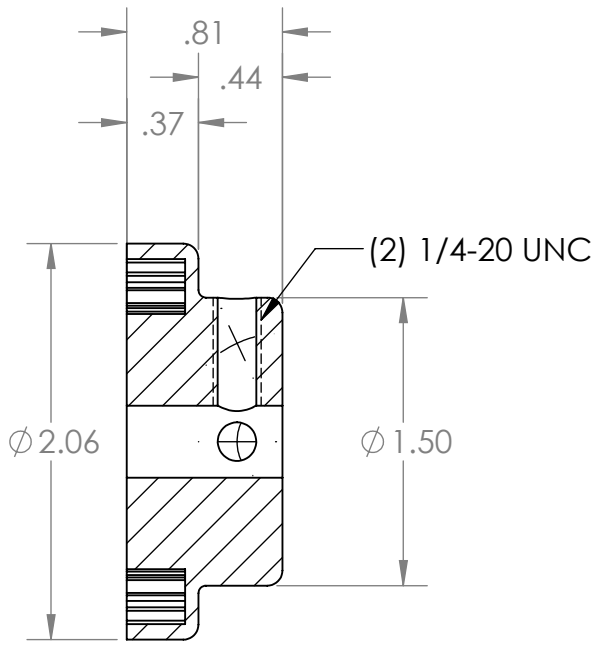
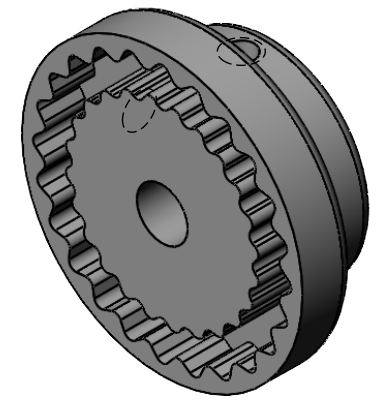


2

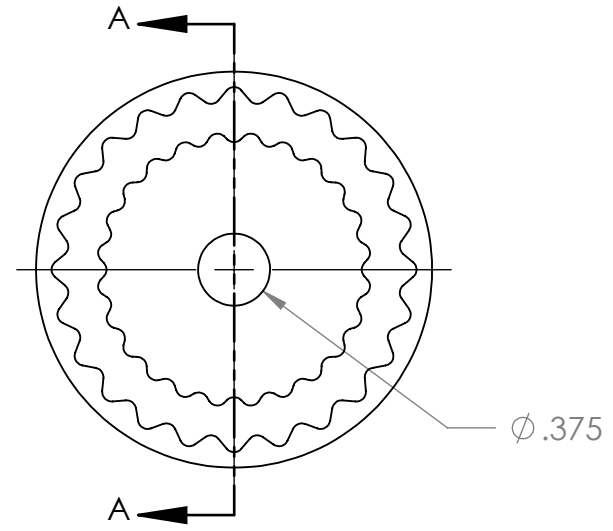
1

B

B



SECTION A-A



A

A

PROPRIETARY AND CONFIDENTIAL
 THE INFORMATION CONTAINED IN THIS DRAWING IS THE SOLE PROPERTY OF MASTERDRIVE, INC. ANY REPRODUCTION IN PART OR AS A WHOLE WITHOUT THE WRITTEN PERMISSION OF MASTERDRIVE, INC. IS PROHIBITED.

					NAME	DATE
				DRAWN	EDG	05/10/22
				CHECKED		
				ENG APPR.		
				MFG APPR.		
				Q.A.		
				COMMENTS:		
			INTERPRET GEOMETRIC TOLERANCING PER:			
			MATERIAL			
			Powdered Metal			
			FINISH			
			None			
NEXT ASSY	USED ON					
APPLICATION			DO NOT SCALE DRAWING			



TITLE:
3J-3/8

SIZE DWG. NO. REV
A 3J-0.375

SCALE: 1:1 WEIGHT: SHEET 1 OF 1

2

1