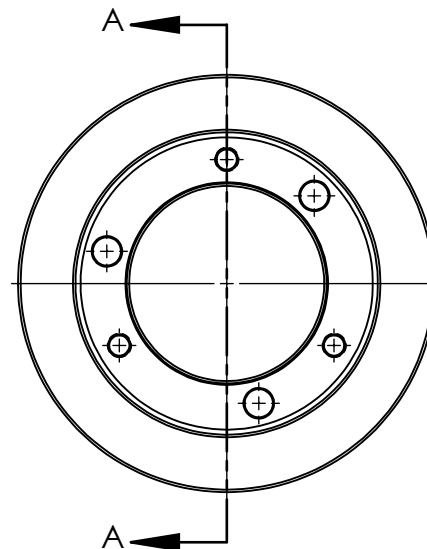
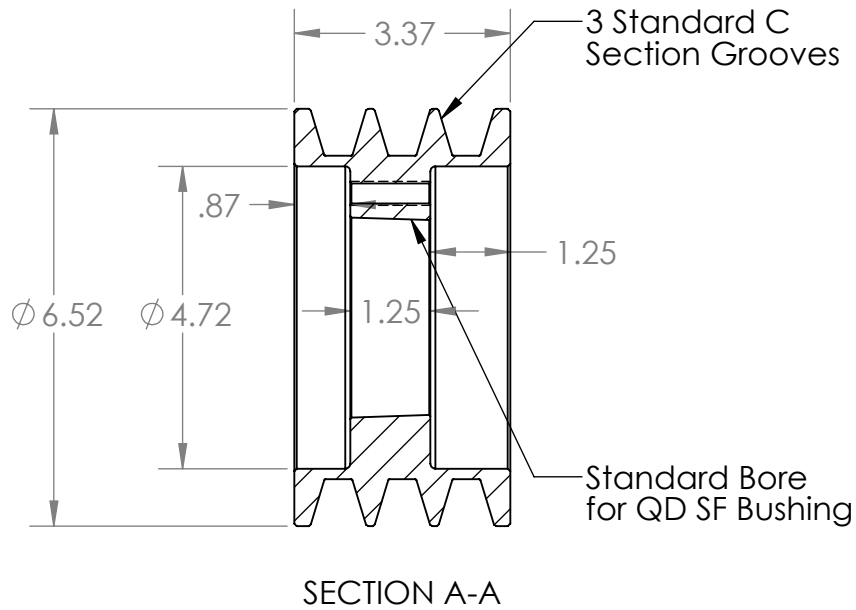
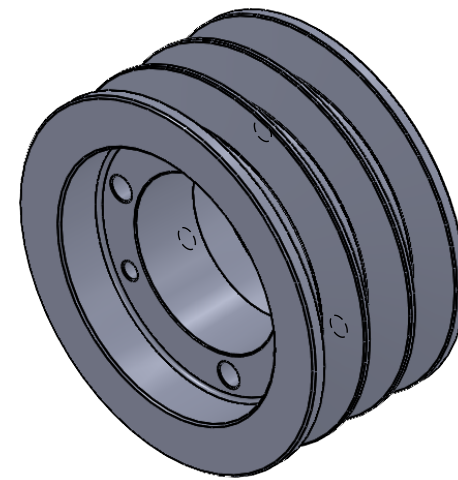


2

1

B

B



SECTION A-A

A

A

PROPRIETARY AND CONFIDENTIAL
 THE INFORMATION CONTAINED IN THIS DRAWING IS THE SOLE PROPERTY OF <INSERT COMPANY NAME HERE>. ANY REPRODUCTION IN PART OR AS A WHOLE WITHOUT THE WRITTEN PERMISSION OF <INSERT COMPANY NAME HERE> IS PROHIBITED.

| | | | | | |
|--|-------------|---------|--|--------------------------------------|----------|
| | | | | NAME | DATE |
| | | | | EDG | 11/02/18 |
| | | | | CHECKED | |
| | | | | ENG APPR. | |
| | | | | MFG APPR. | |
| | | | | Q.A. | |
| | | | | COMMENTS: | |
| | | | | INTERPRET GEOMETRIC TOLERANCING PER: | |
| | | | | MATERIAL QT450-10 (Ductile Iron) | |
| | | | | FINISH Grey Paint | |
| | NEXT ASSY | USED ON | | | |
| | APPLICATION | | | | |
| | | | | DO NOT SCALE DRAWING | |



| | | |
|-----------------|----------|--------------|
| TITLE: | | |
| <h1>3C60SF</h1> | | |
| SIZE | DWG. NO. | REV |
| A | 3C60SF | |
| SCALE: 1:3 | WEIGHT: | SHEET 1 OF 1 |

2

1