

4

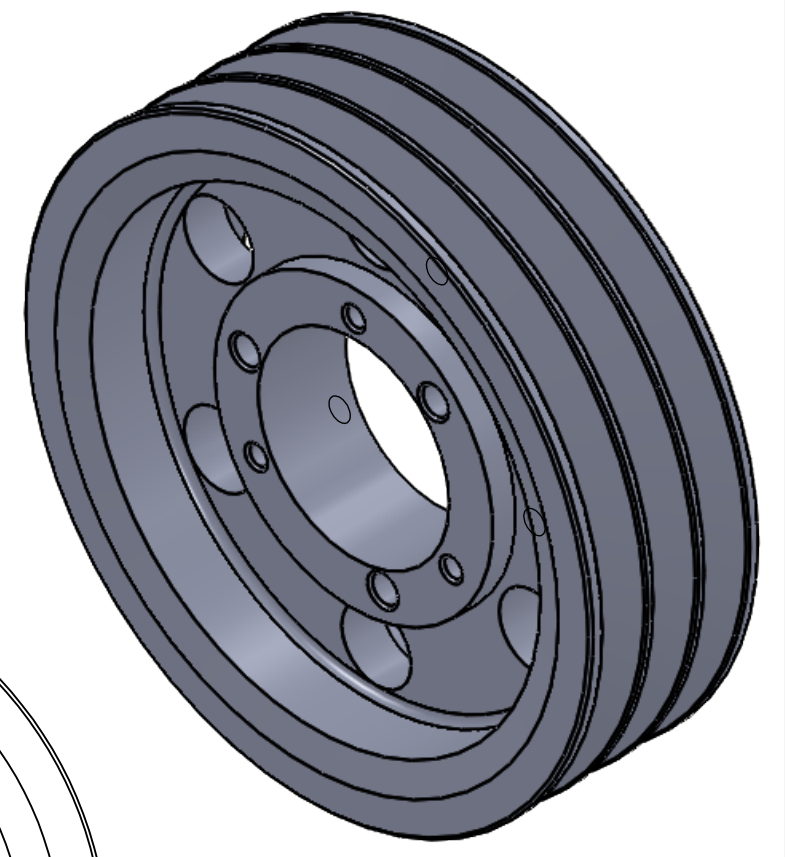
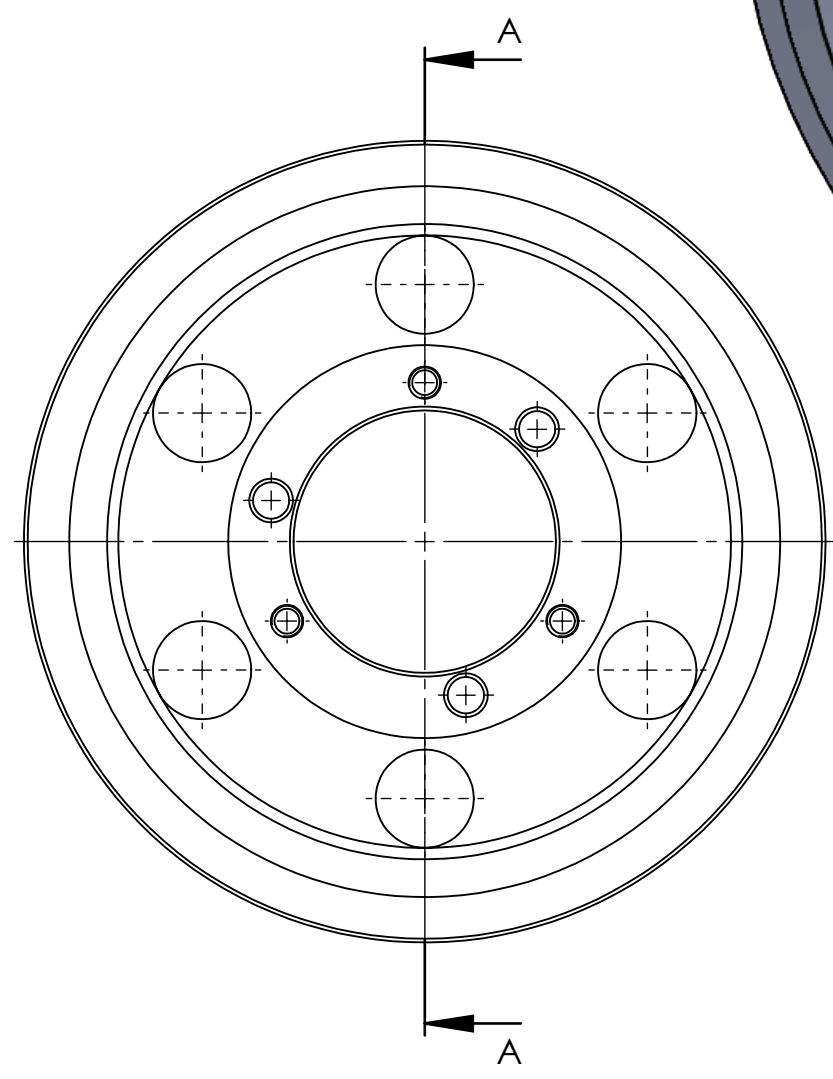
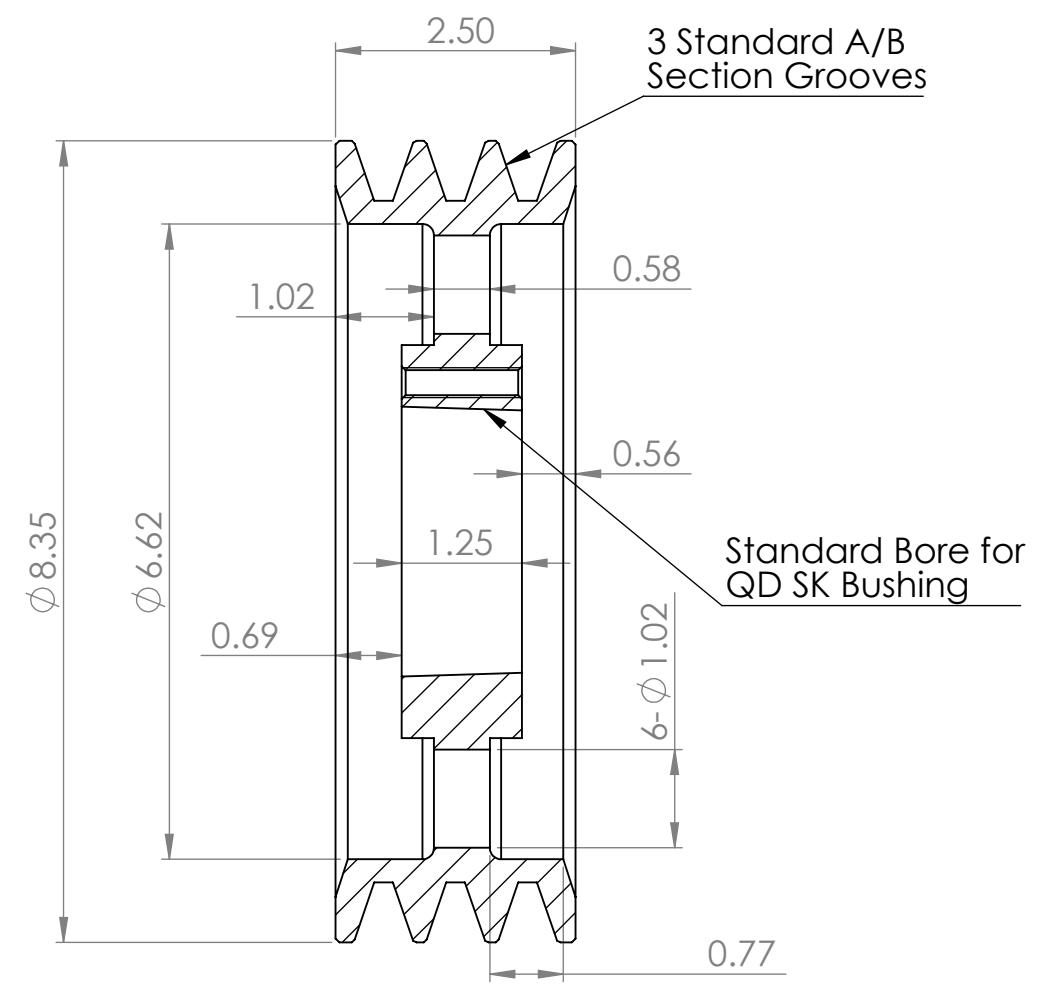
3

2

1

B

B



A

A

PROPRIETARY AND CONFIDENTIAL
 THE INFORMATION CONTAINED IN THIS DRAWING IS THE SOLE PROPERTY OF MASTERDRIVE, INC. ANY REPRODUCTION IN PART OR AS A WHOLE WITHOUT THE WRITTEN PERMISSION OF MASTERDRIVE, INC. IS PROHIBITED.

			NAME	DATE	
			DRAWN	EDG 08/28/18	
			CHECKED		
			ENG APPR.		
			MFG APPR.		
			Q.A.		TITLE:
			COMMENTS:		3B80SK
					SIZE DWG. NO. REV
					B 3B80SK
					SCALE: 1:2 WEIGHT: SHEET 1 OF 1

		INTERPRET GEOMETRIC TOLERANCING PER:
		MATERIAL
		HT200 (Cast Iron)
		FINISH
		Grey Paint
NEXT ASSY	USED ON	
APPLICATION		DO NOT SCALE DRAWING

4

3

2

1