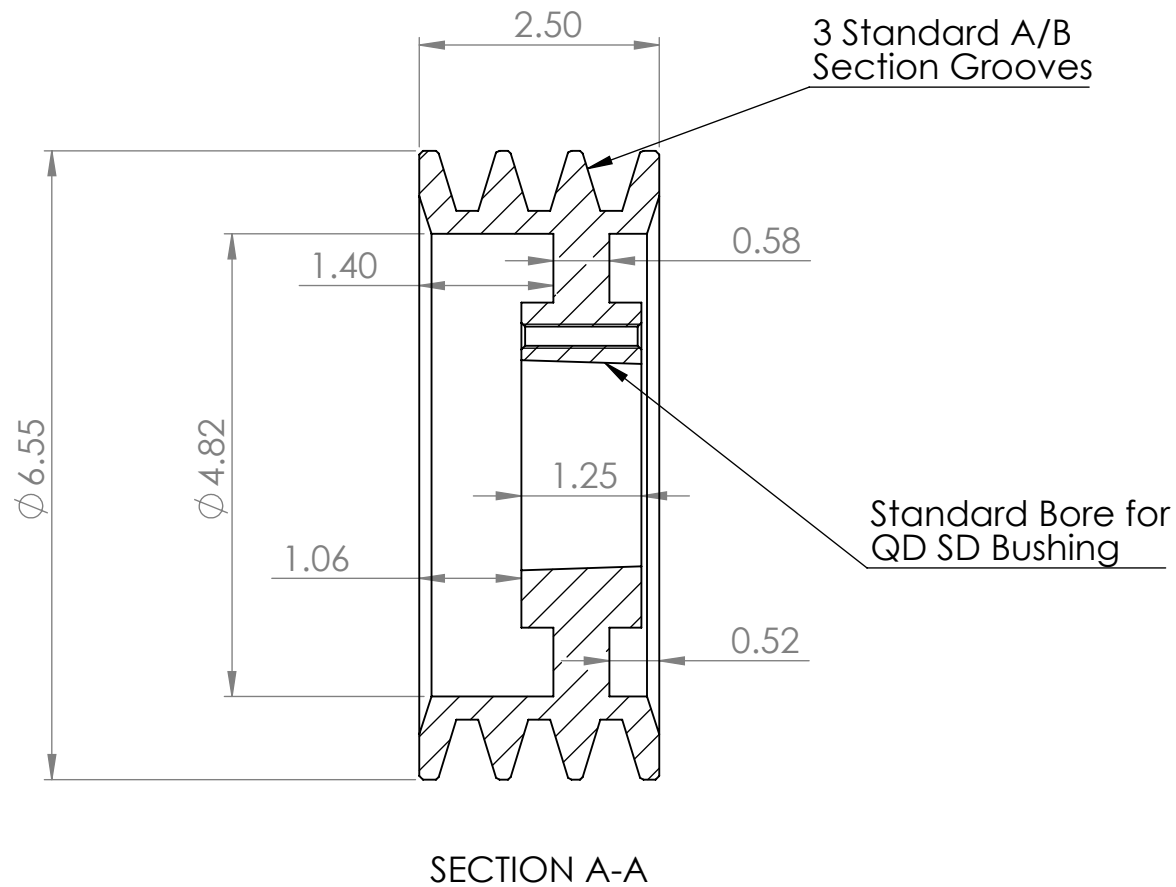
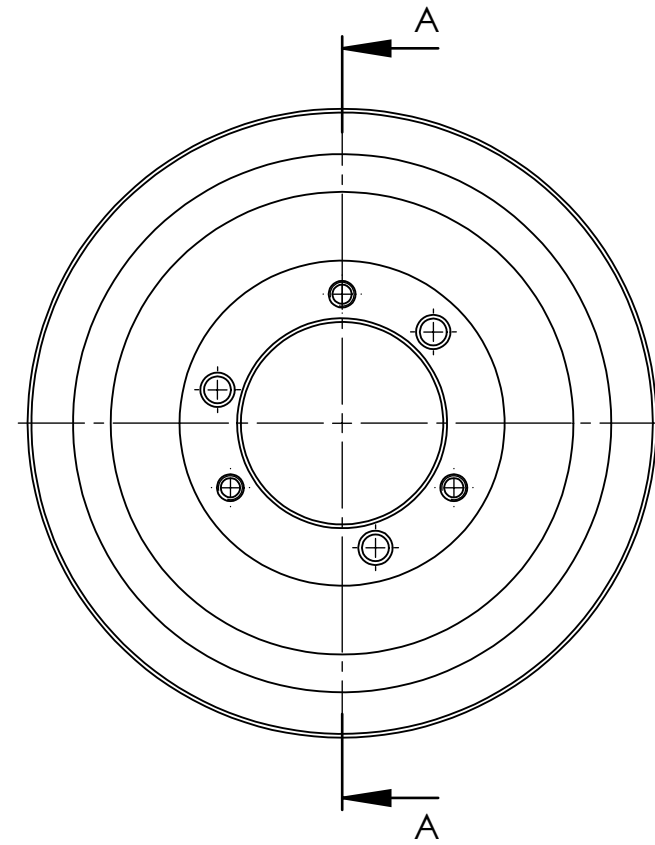
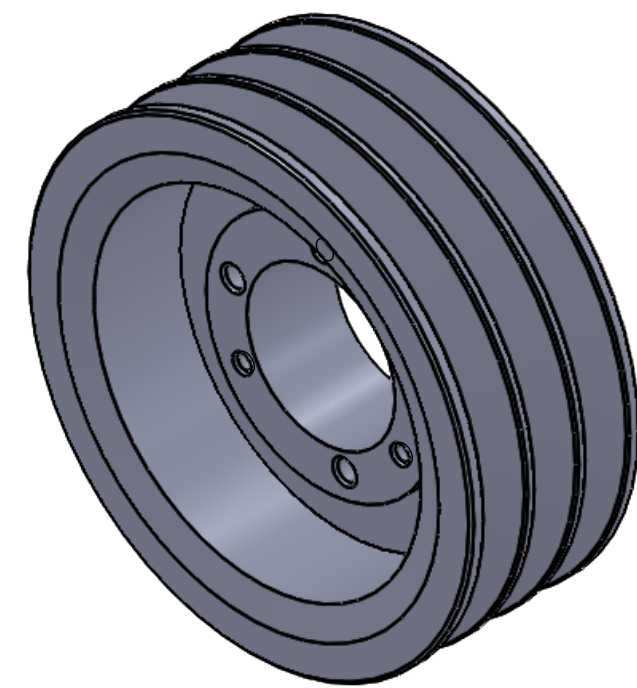


4

3

2

1



SECTION A-A

B

B

A

A

PROPRIETARY AND CONFIDENTIAL
 THE INFORMATION CONTAINED IN THIS DRAWING IS THE SOLE PROPERTY OF MASTERDRIVE, INC. ANY REPRODUCTION IN PART OR AS A WHOLE WITHOUT THE WRITTEN PERMISSION OF MASTERDRIVE, INC. IS PROHIBITED.

			NAME	DATE	
			DRAWN	EDG 08/28/18	
			CHECKED		
			ENG APPR.		
			MFG APPR.		
			Q.A.		TITLE:
			COMMENTS:		3B62SD
			INTERPRET GEOMETRIC TOLERANCING PER:		SIZE
			MATERIAL		DWG. NO.
			HT200 (Cast Iron)		3B62SD
			FINISH		REV
			Grey Paint		
			APPLICATION		SCALE: 1:2
			DO NOT SCALE DRAWING		WEIGHT:
					SHEET 1 OF 1

4

3

2

1