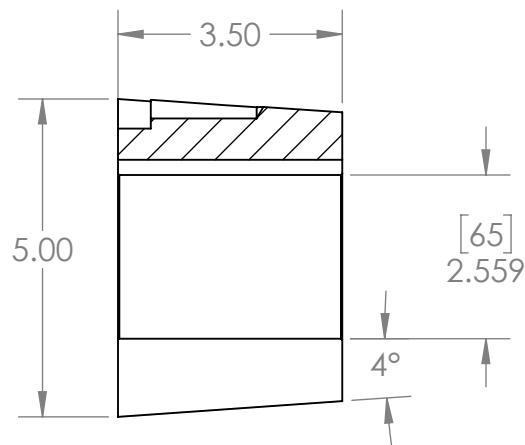
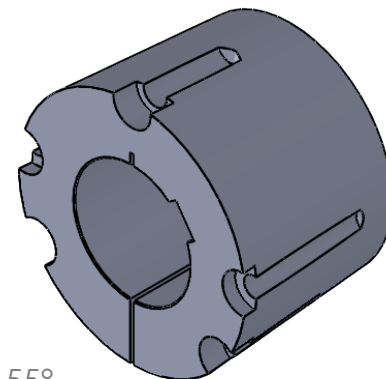


2

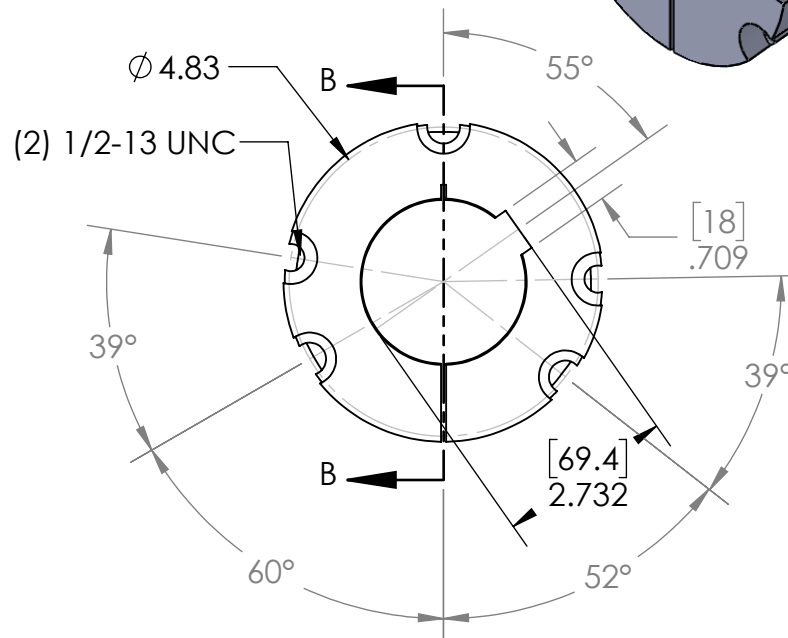
1

B

B



SECTION B-B



A

A

PROPRIETARY AND CONFIDENTIAL
 THE INFORMATION CONTAINED IN THIS DRAWING IS THE SOLE PROPERTY OF MASTERDRIVE, INC. ANY REPRODUCTION IN PART OR AS A WHOLE WITHOUT THE WRITTEN PERMISSION OF MASTERDRIVE, INC. IS PROHIBITED.

				NAME	DATE
				DRAWN	EDG 01/08/21
				CHECKED	
				ENG APPR.	
				MFG APPR.	
				Q.A.	
				COMMENTS:	
				INTERPRET GEOMETRIC TOLERANCING PER:	
				MATERIAL	
				HT200 (Cast Iron)	
				FINISH	
				Black Phosphate	
	NEXT ASSY	USED ON		APPLICATION	
				DO NOT SCALE DRAWING	



TITLE:		
3535-65MM		
SIZE	DWG. NO.	REV
A	3535-65MM	
SCALE: 1:3	WEIGHT:	SHEET 1 OF 1

2

1