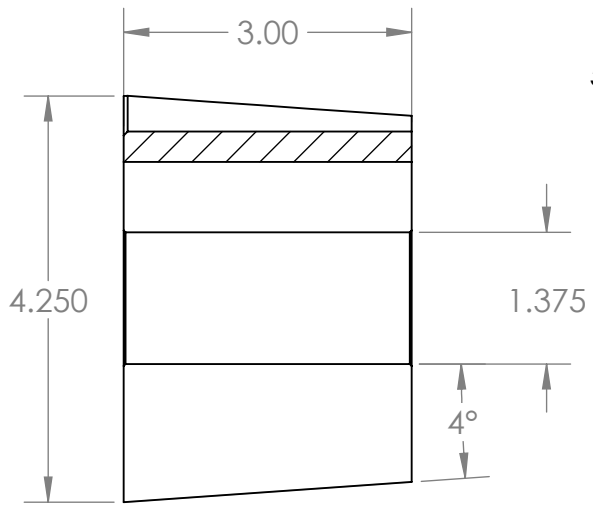
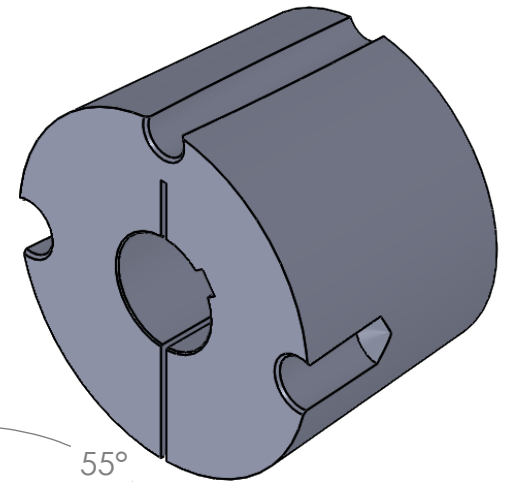


2

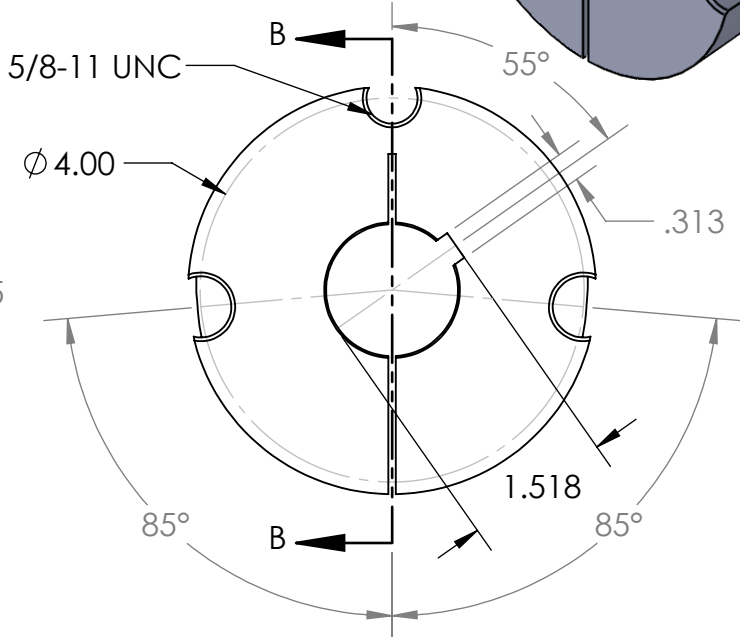
1

B

B



SECTION B-B



A

A

			NAME	EDG	DATE	10/29/20
			DRAWN			
			CHECKED			
			ENG APPR.			
			MFG APPR.			
			Q.A.			
			COMMENTS:			
		INTERPRET GEOMETRIC TOLERANCING PER:				
		MATERIAL	HT200 (Cast Iron)			
		FINISH	Black Phosphate			
	NEXT ASSY	USED ON				
	APPLICATION		DO NOT SCALE DRAWING			



TITLE:		
3030-1.3/8		
SIZE	DWG. NO.	REV
A	3030-1.375	
SCALE: 1:2	WEIGHT:	SHEET 1 OF 1

PROPRIETARY AND CONFIDENTIAL
 THE INFORMATION CONTAINED IN THIS DRAWING IS THE SOLE PROPERTY OF MASTERDRIVE, INC. ANY REPRODUCTION IN PART OR AS A WHOLE WITHOUT THE WRITTEN PERMISSION OF MASTERDRIVE, INC. IS PROHIBITED.

2

1