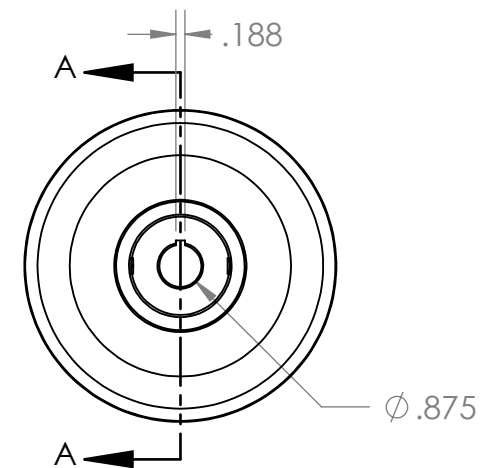
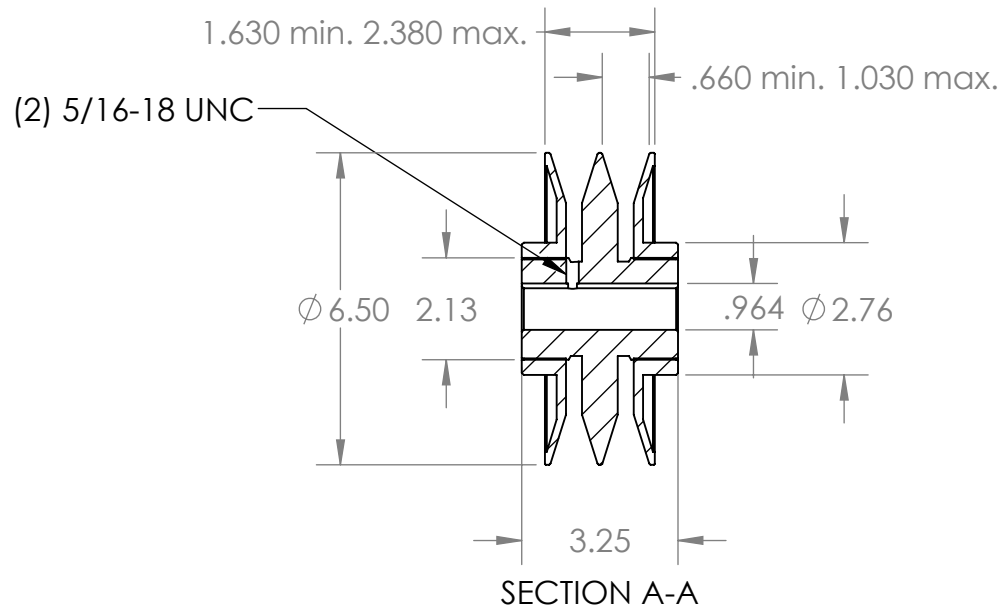
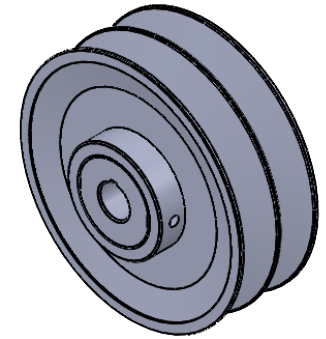


B

2

1

B



A

A

**PROPRIETARY AND CONFIDENTIAL**  
 THE INFORMATION CONTAINED IN THIS DRAWING IS THE SOLE PROPERTY OF MASTERDRIVE, INC. ANY REPRODUCTION IN PART OR AS A WHOLE WITHOUT THE WRITTEN PERMISSION OF MASTERDRIVE, INC. IS PROHIBITED.

NEXT ASSY

USED ON

APPLICATION

INTERPRET GEOMETRIC TOLERANCING PER:

MATERIAL  
HT200 (Cast Iron)FINISH  
Grey Paint

DO NOT SCALE DRAWING

|           | NAME | DATE     |
|-----------|------|----------|
| DRAWN     | EDG  | 08/03/21 |
| CHECKED   |      |          |
| ENG APPR. |      |          |
| MFG APPR. |      |          |
| Q.A.      |      |          |
| COMMENTS: |      |          |

**MASTERDRIVE**<sup>®</sup>  
 POWER TRANSMISSION PRODUCTS

TITLE:

2VP65-7/8

| SIZE     | DWG. NO.    | REV |
|----------|-------------|-----|
| <b>A</b> | 2VP65-0.875 |     |

SCALE: 1:4

WEIGHT:

SHEET 1 OF 1

2

1