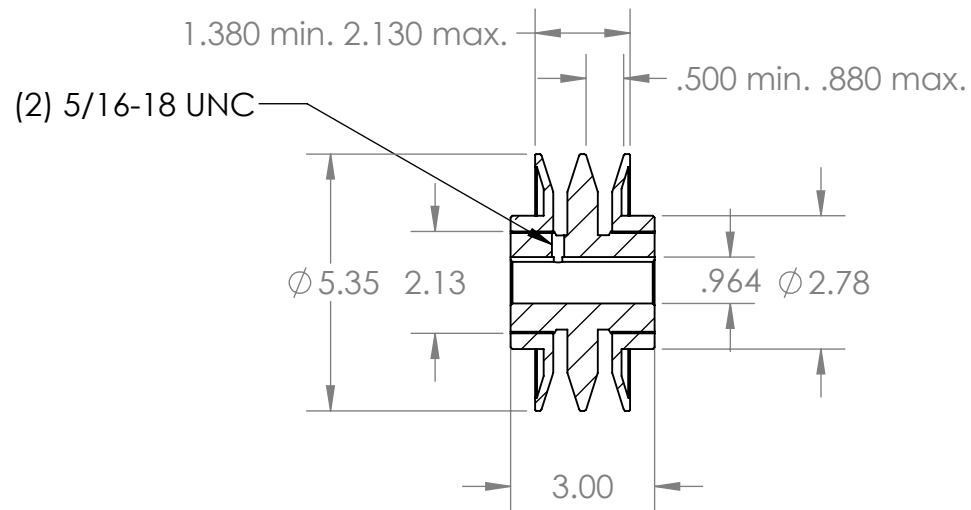
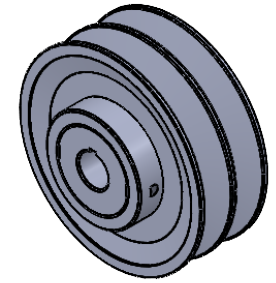


B

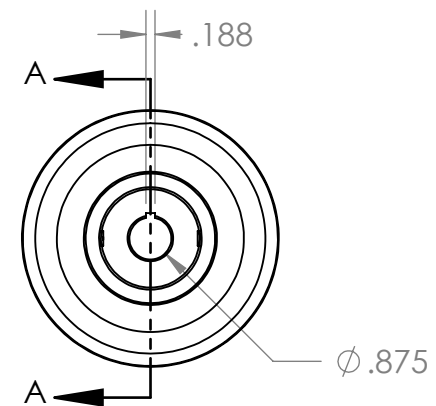
2

1

B



SECTION A-A



A

A

PROPRIETARY AND CONFIDENTIAL
 THE INFORMATION CONTAINED IN THIS DRAWING IS THE SOLE PROPERTY OF MASTERDRIVE, INC. ANY REPRODUCTION IN PART OR AS A WHOLE WITHOUT THE WRITTEN PERMISSION OF MASTERDRIVE, INC. IS PROHIBITED.

NEXT ASSY

USED ON

APPLICATION

INTERPRET GEOMETRIC TOLERANCING PER:

MATERIAL
HT200 (Cast Iron)FINISH
Grey Paint

DO NOT SCALE DRAWING

DRAWN

NAME

DATE

CHECKED

EDG

08/02/21

ENG APPR.

MFG APPR.

Q.A.

COMMENTS:

MASTERDRIVE 
 POWER TRANSMISSION PRODUCTS

TITLE:

2VP56-7/8

SIZE

DWG. NO.

REV

A

2VP56-0.875

SCALE: 1:4

WEIGHT:

SHEET 1 OF 1

2

1