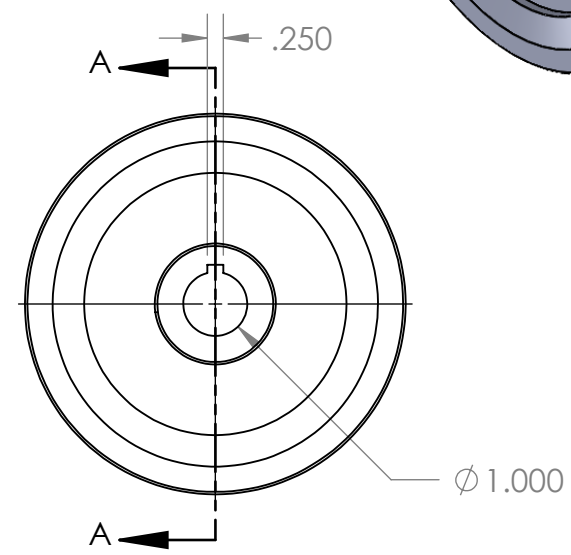
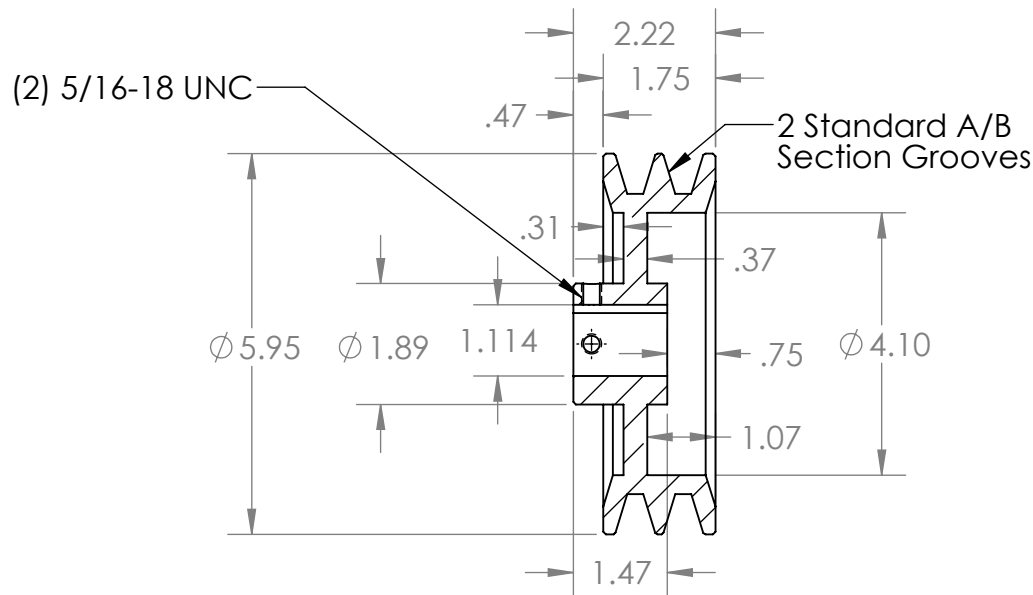
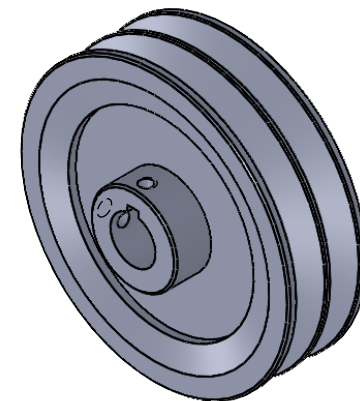


2

1

B

B



SECTION A-A

A

A

**PROPRIETARY AND CONFIDENTIAL**  
 THE INFORMATION CONTAINED IN THIS DRAWING IS THE SOLE PROPERTY OF MASTERDRIVE, INC. ANY REPRODUCTION IN PART OR AS A WHOLE WITHOUT THE WRITTEN PERMISSION OF MASTERDRIVE, INC. IS PROHIBITED.

|             |         |  |                                      |           |          |
|-------------|---------|--|--------------------------------------|-----------|----------|
|             |         |  |                                      | NAME      | DATE     |
|             |         |  |                                      | EDG       | 06/18/21 |
|             |         |  |                                      | CHECKED   |          |
|             |         |  |                                      | ENG APPR. |          |
|             |         |  |                                      | MFG APPR. |          |
|             |         |  |                                      | Q.A.      |          |
|             |         |  |                                      | COMMENTS: |          |
|             |         |  | INTERPRET GEOMETRIC TOLERANCING PER: |           |          |
|             |         |  | MATERIAL                             |           |          |
|             |         |  | HT200 (Cast Iron)                    |           |          |
|             |         |  | FINISH                               |           |          |
|             |         |  | Grey Paint                           |           |          |
| NEXT ASSY   | USED ON |  |                                      |           |          |
| APPLICATION |         |  | DO NOT SCALE DRAWING                 |           |          |



|            |             |              |
|------------|-------------|--------------|
| TITLE:     |             |              |
| 2BK62-1    |             |              |
| SIZE       | DWG. NO.    | REV          |
| <b>A</b>   | 2BK62-1.000 |              |
| SCALE: 1:3 | WEIGHT:     | SHEET 1 OF 1 |

2

1