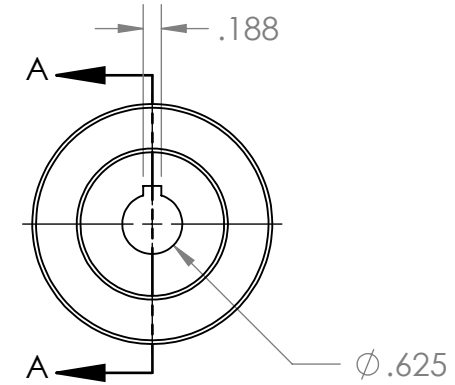
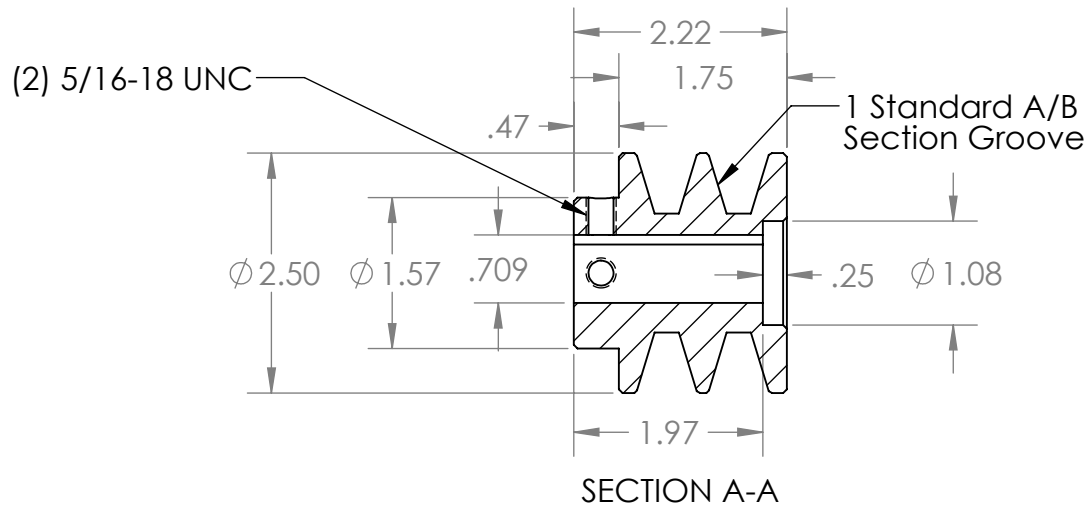
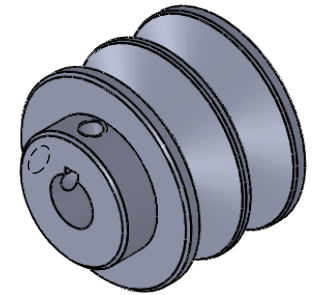


2

1

B

B



A

A

| | | | | | | | | | |
|--|--|--|--|--|-----------|--------------|--|--------------------|--------------|
| <p>PROPRIETARY AND CONFIDENTIAL THE INFORMATION CONTAINED IN THIS DRAWING IS THE SOLE PROPERTY OF MASTERDRIVE, INC. ANY REPRODUCTION IN PART OR AS A WHOLE WITHOUT THE WRITTEN PERMISSION OF MASTERDRIVE, INC. IS PROHIBITED.</p> | | | | | NAME | DATE | <p>MASTERDRIVE POWER TRANSMISSION PRODUCTS</p> <p>TITLE: 2BK25-5/8</p> | | |
| | | | | | DRAWN | EDG 06/03/21 | | | |
| | | | | | CHECKED | | | | |
| | | | | | ENG APPR. | | | | |
| | | | | | MFG APPR. | | | | |
| | | | | | Q.A. | | | | |
| | | | | | COMMENTS: | | | | |
| | | | | | | | SIZE | DWG. NO. | REV |
| | | | | | | | A | 2BK25-0.625 | |
| | | | | | | | SCALE: 1:2 | WEIGHT: | SHEET 1 OF 1 |

2

1

INTERPRET GEOMETRIC TOLERANCING PER:
MATERIAL HT200 (Cast Iron)
FINISH Grey Paint
APPLICATION DO NOT SCALE DRAWING

NEXT ASSY USED ON