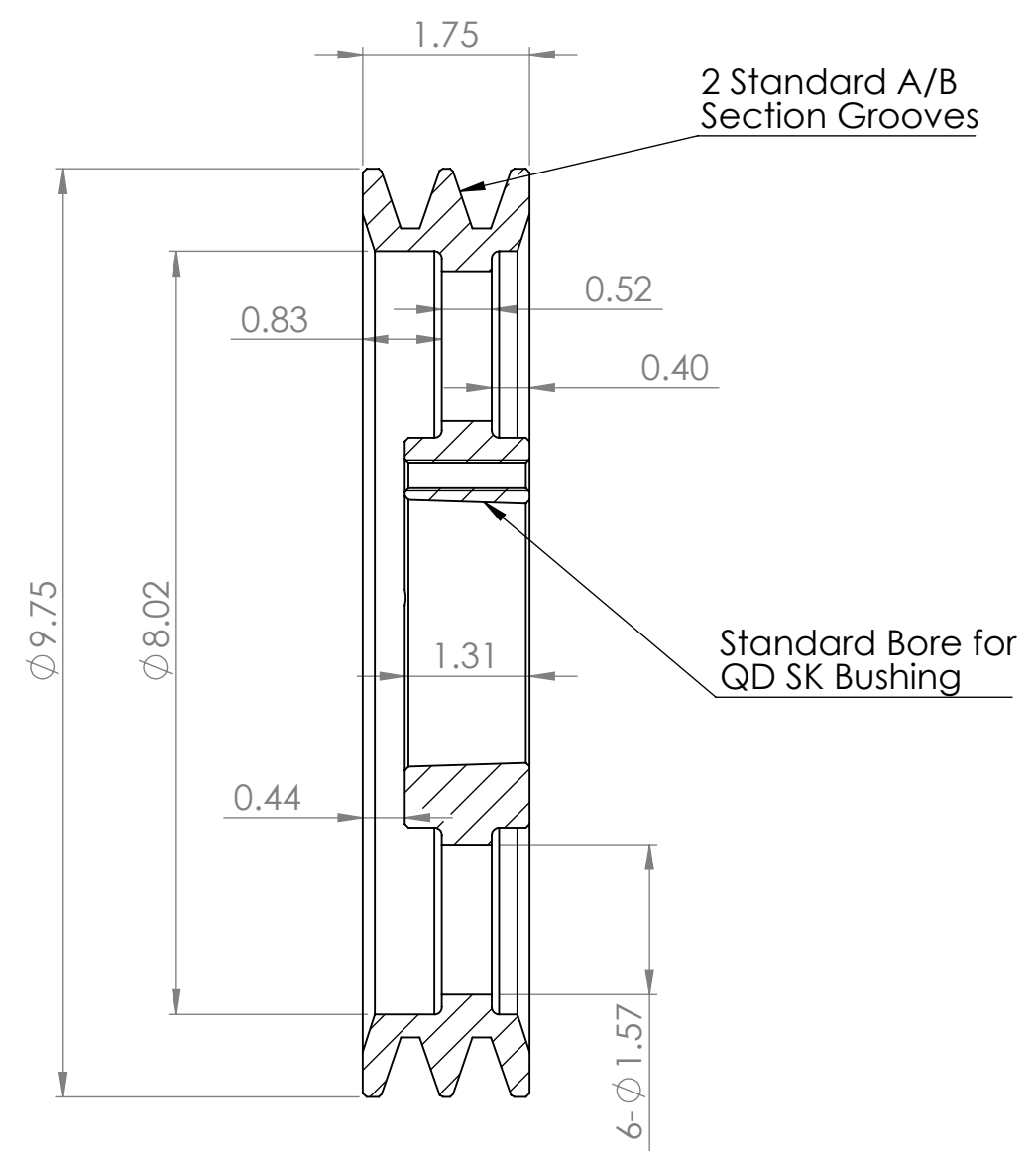
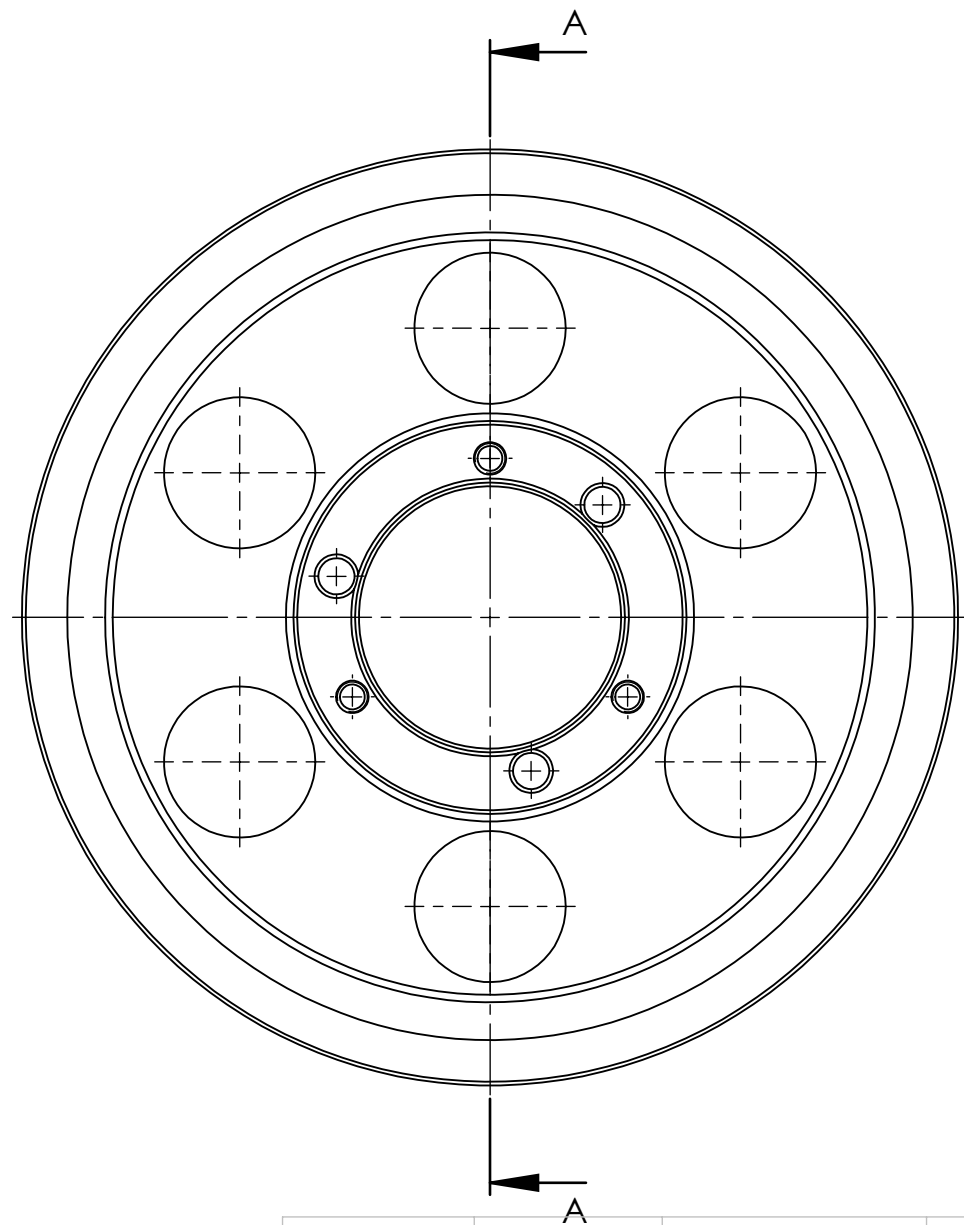
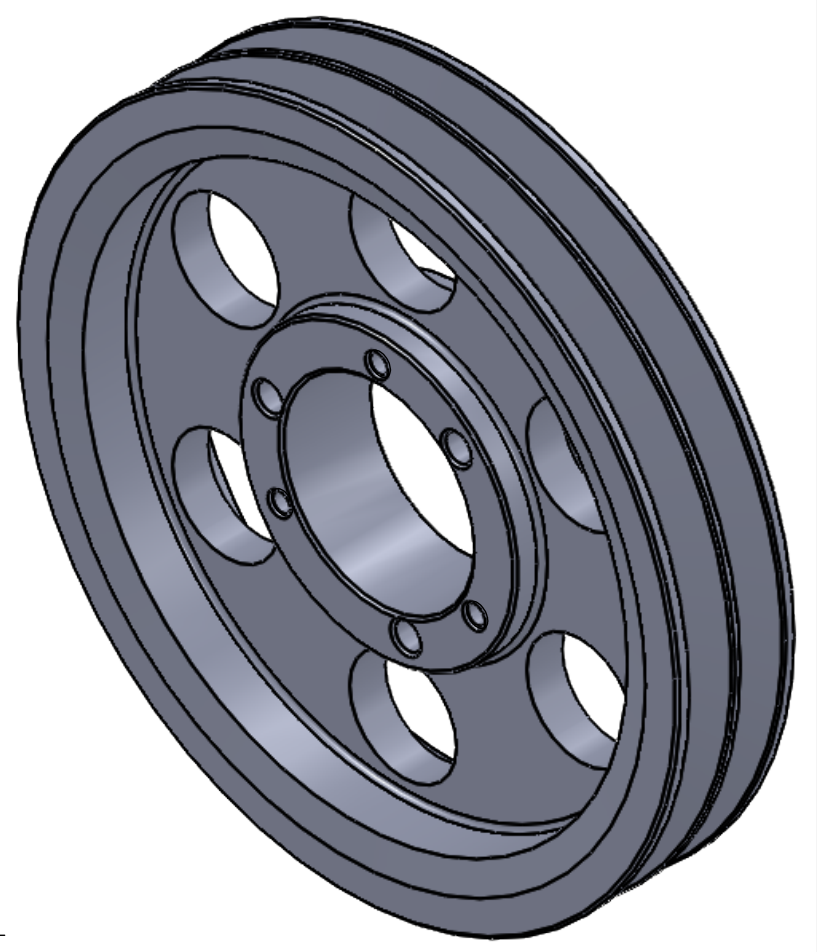


4

3

2

1



SECTION A-A

B

B

A

A

**PROPRIETARY AND CONFIDENTIAL**  
 THE INFORMATION CONTAINED IN THIS DRAWING IS THE SOLE PROPERTY OF MASTERDRIVE, INC. ANY REPRODUCTION IN PART OR AS A WHOLE WITHOUT THE WRITTEN PERMISSION OF MASTERDRIVE, INC. IS PROHIBITED.

			NAME	DATE	
			DRAWN	EDG 08/22/18	
			CHECKED		
			ENG APPR.		
			MFG APPR.		
			Q.A.		TITLE:
			COMMENTS:		2B94SK
					SIZE DWG. NO. REV
					<b>B</b> 2B94SK
					SCALE: 1:2 WEIGHT: SHEET 1 OF 1

INTERPRET GEOMETRIC TOLERANCING PER:  
 MATERIAL HT200 (Cast Iron)  
 FINISH Grey Paint

NEXT ASSY USED ON

APPLICATION DO NOT SCALE DRAWING

4

3

2

1