

B

A

B

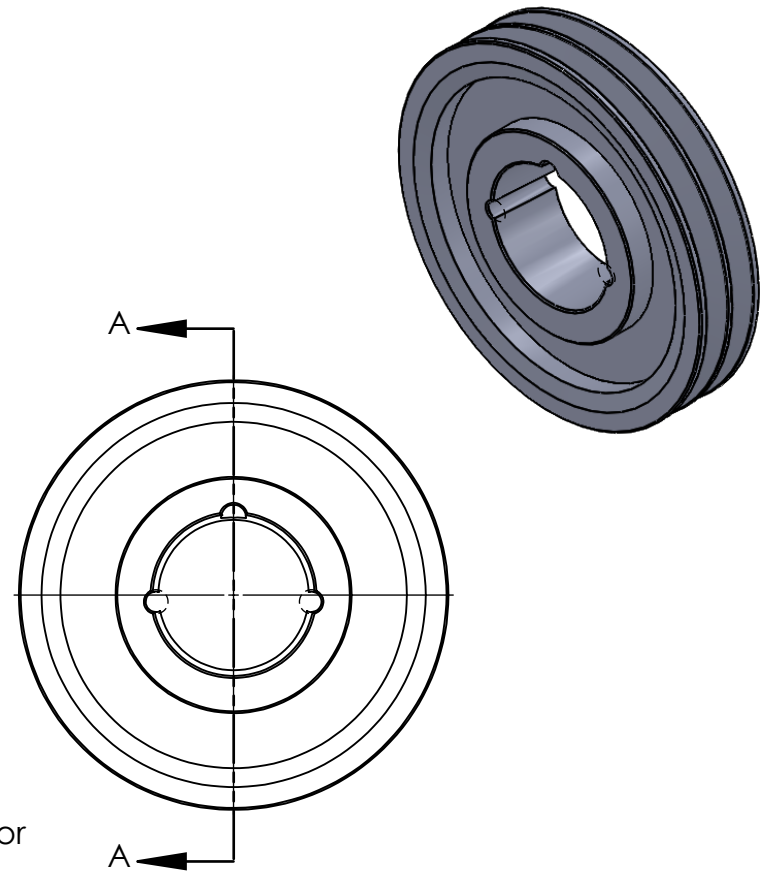
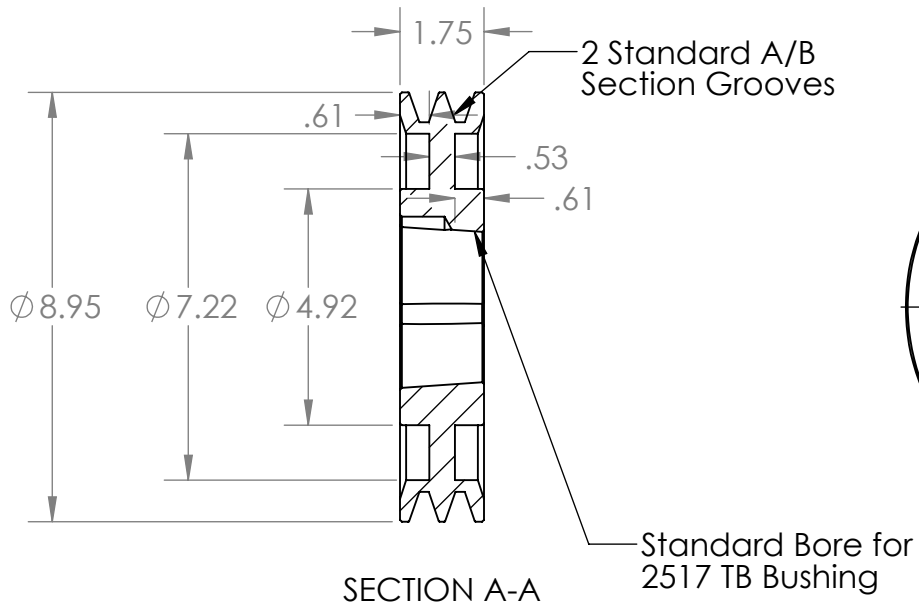
A

2

1

2

1



<p>PROPRIETARY AND CONFIDENTIAL</p> <p>THE INFORMATION CONTAINED IN THIS DRAWING IS THE SOLE PROPERTY OF MASTERDRIVE, INC. ANY REPRODUCTION IN PART OR AS A WHOLE WITHOUT THE WRITTEN PERMISSION OF MASTERDRIVE, INC. IS PROHIBITED.</p>			INTERPRET GEOMETRIC TOLERANCING PER:	DRAWN	NAME	DATE	<p>MASTERDRIVE[®] POWER TRANSMISSION PRODUCTS</p> <p>TITLE: 2B86-2517</p>	
			MATERIAL	CHECKED	EDG	02/19/21		
			FINISH	ENG APPR.				
	NEXT ASSY	USED ON	Grey Paint	MFG APPR.				
	APPLICATION		DO NOT SCALE DRAWING	Q.A.				
			COMMENTS:				<p>SIZE A DWG. NO. 2B86-2517 REV</p> <p>SCALE: 1:4 WEIGHT: SHEET 1 OF 1</p>	