

4

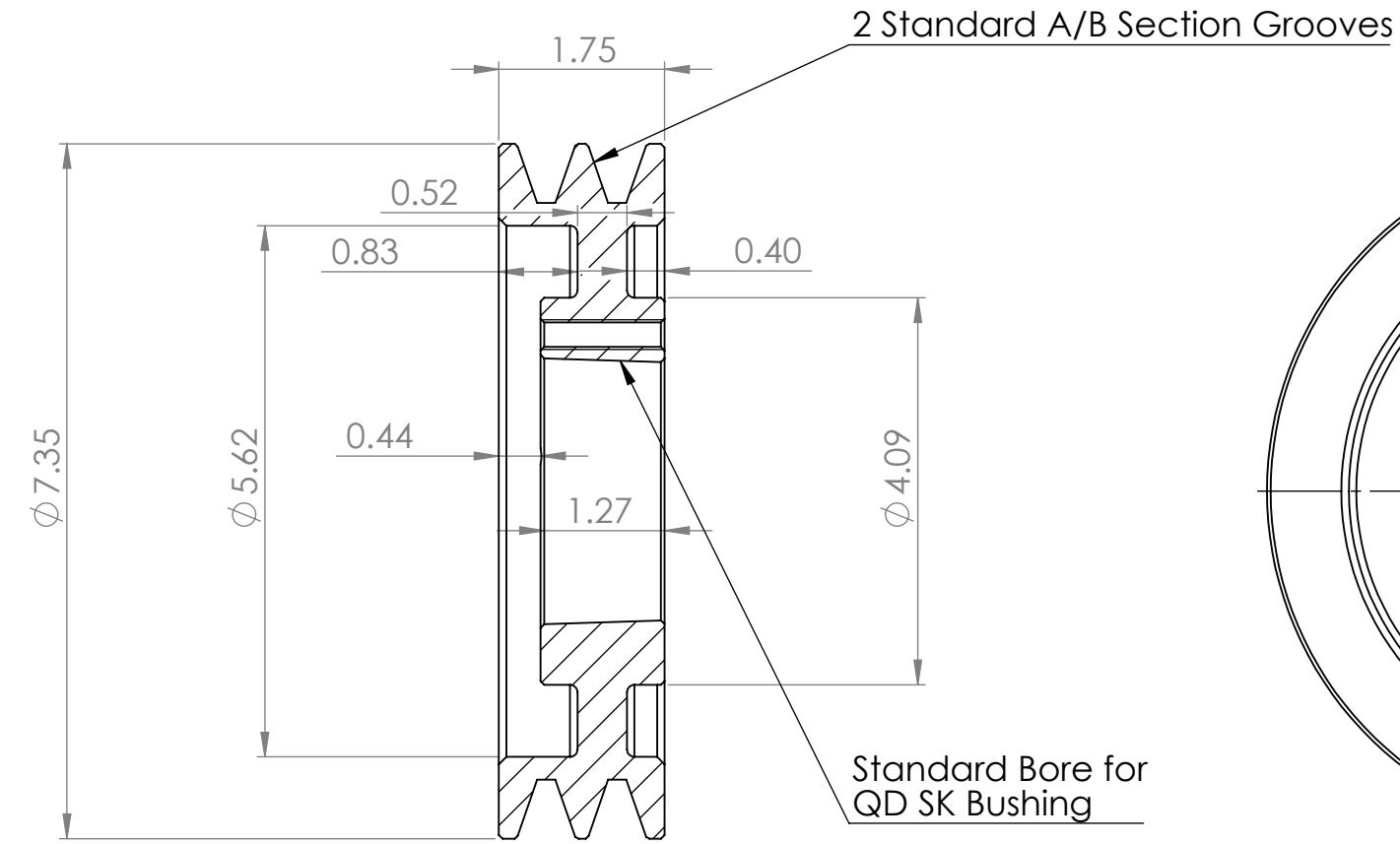
3

2

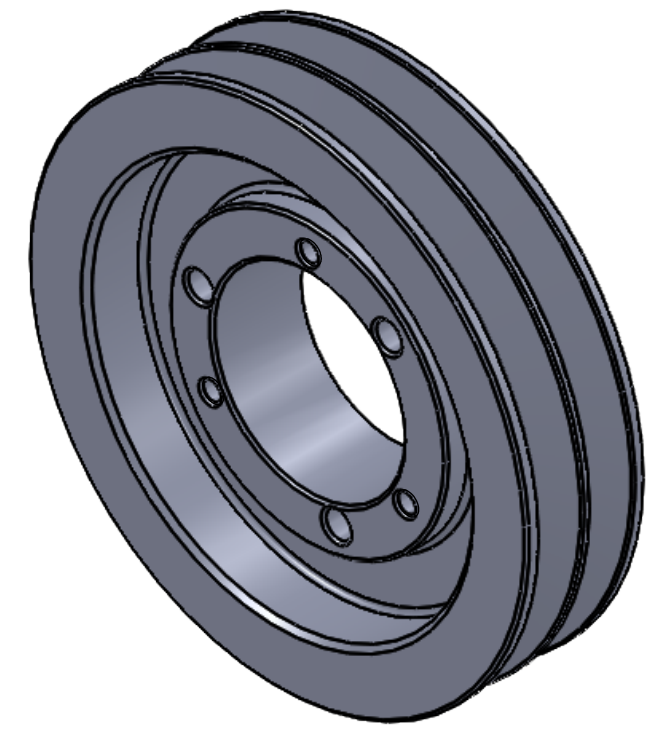
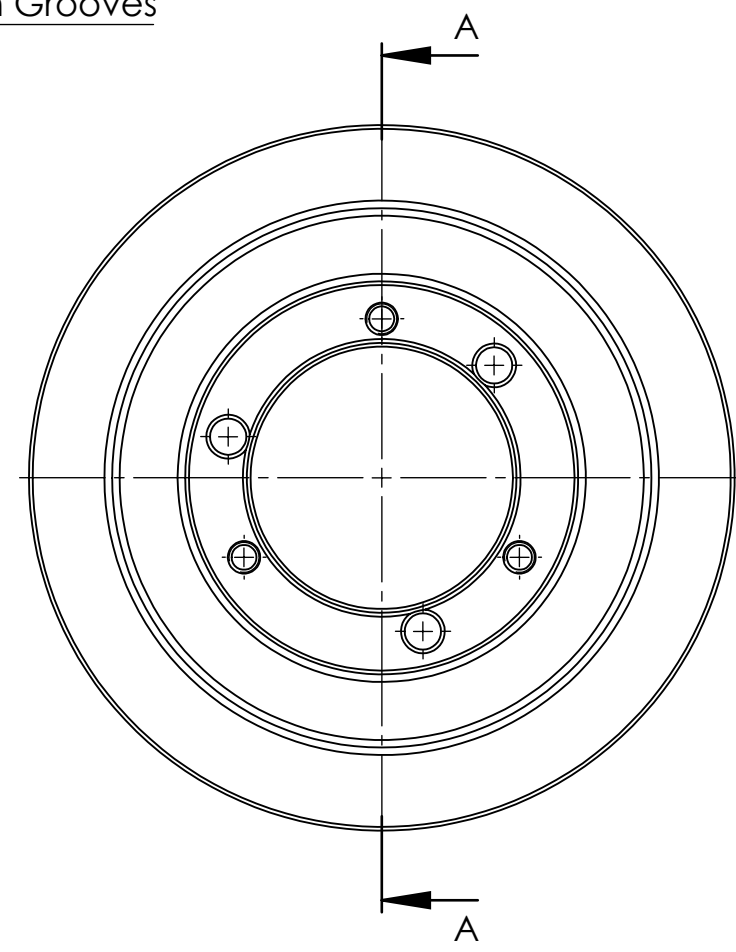
1

B

B



SECTION A-A



A

A

PROPRIETARY AND CONFIDENTIAL
 THE INFORMATION CONTAINED IN THIS DRAWING IS THE SOLE PROPERTY OF MASTERDRIVE, INC. ANY REPRODUCTION IN PART OR AS A WHOLE WITHOUT THE WRITTEN PERMISSION OF MASTERDRIVE, INC. IS PROHIBITED.

			NAME	DATE	
		DRAWN	EDG	07/31/18	
		CHECKED			
		ENG APPR.			
		MFG APPR.			
			Q.A.		TITLE:
			COMMENTS:		2B70SK
					SIZE DWG. NO. REV
					B 2B70SK
					SCALE: 1:2 WEIGHT: SHEET 1 OF 1

4

3

2

1